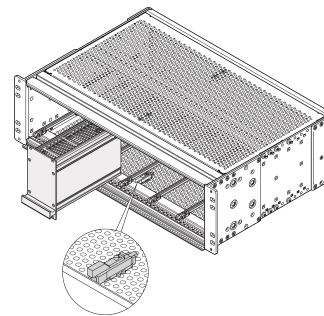
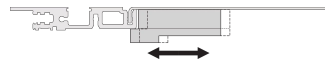
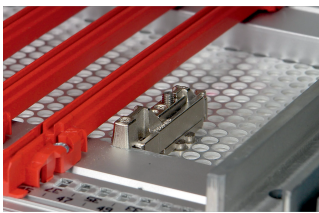


EuropacPRO Cover Plate Locking Kit

CATALOG NUMBER

24566-007



Additional securing of the rugged cover plate to protect against shock and vibration. The Kit will be screwed onto the top / bottom cover. A movable bolt engages under the horizontal rails and thus provides additional fixing.

CERTIFICATIONS



FEATURES

Additional securing of the rugged cover plate

Can be combined with horizontal Type R and H

PRODUCT ATTRIBUTES

Product Type: Hardware Kit

Product Family: EuropacPRO

Works With: Subracks

Material: Zinc Alloy

Package Quantity: 4

Gross Weight: 0.074kg

Torque: 0.6N·m

WARNING

nVent products shall be installed and used only as indicated in nVent's product instruction sheets and training materials. Instruction sheets are available at www.nvent.com and from your nVent customer service representative. Improper installation, misuse, misapplication or other failure to completely follow nVent's instructions and warnings may cause product malfunction, property damage, serious bodily injury and death and/or void your warranty.

North America

All locations
+1.763.422.2661
Chat with us:
nvent.com/schroff

Europe

Straubenhardt, Germany
+49.7082.794.0
Betschdorf, France
+33.3.88.90.64.90
Warsaw, Poland
+48.22.209.98.35
Assago, Italy
+39.02.932.7141
Chat with us:
nvent.com/schroff

Asia

Shanghai, China
+86.21.2412.6943
Qingdao, China
+86.532.8771.6101
Singapore
+65.6768.5800
Shin-Yokohama, Japan
+81.45.476.0271
Chat with us:
nvent.com/schroff

Middle East & India

Dubai, United Arab Emirates
+971.4.378.1700
Bangalore, India
+91.80.6715.2001
Istanbul, Turkey
+90.216.250.7374
Chat with us:
nvent.com/schroff



Our powerful portfolio of brands:

CADDY ERICO HOFFMAN ILSCO SCHROFF TRACHTE