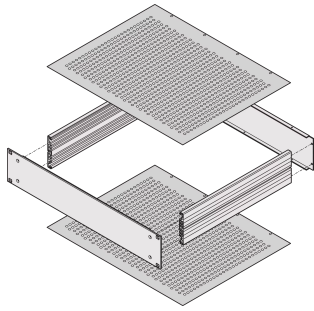


# MultipacPRO Cover Plate, Perforated

## Power Utilities



Cover plates perforated version will close the 19" chassis on top and bottom side. The hole diameter is 4 mm, perforation ratio 58 %.

### CERTIFICATIONS



### FEATURES

Perforated cover plates can be used as either top or base plates; inserted into base structure

Cover plate, perforated, hole diameter 4 mm, perforation ratio 58 %

### SPECIFICATIONS

Table 1/1

| Catalog Number | Depth  | Package Quantity | Product Family | Product Type | Type       | Works With |
|----------------|--------|------------------|----------------|--------------|------------|------------|
| 30860-510      | 220 mm | 1                | MultipacPRO    | Cover Plate  | Perforated | Chassis    |
| 30860-511      | 280 mm | 1                | MultipacPRO    | Cover Plate  | Perforated | Chassis    |
| 30860-512      | 340 mm | 1                | MultipacPRO    | Cover Plate  | Perforated | Chassis    |

| CatalogNumber | Depth  | Package Quantity | Product Family | Product Type | Type       | Works With |
|---------------|--------|------------------|----------------|--------------|------------|------------|
| 30860-513     | 400 mm | 1                | MultipacPRO    | Cover Plate  | Perforated | Chassis    |
| 30860-514     | 460 mm | 1                | MultipacPRO    | Cover Plate  | Perforated | Chassis    |

## WARNING

nVent products shall be installed and used only as indicated in nVent's product instruction sheets and training materials. Instruction sheets are available at [www.nvent.com](http://www.nvent.com) and from your nVent customer service representative. Improper installation, misuse, misapplication or other failure to completely follow nVent's instructions and warnings may cause product malfunction, property damage, serious bodily injury and death and/or void your warranty.



Our powerful portfolio of brands:

**CADDY ERICO HOFFMAN ILSCO SCHROFF TRACHTE**