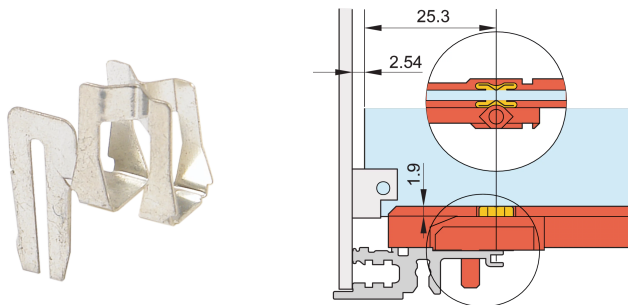


# Guide Rail ESD Clip

## Power Utilities

### CATALOG NUMBER

**24560-255**



ESD clip ensures conductive contact between PCB and horizontal rail both on the solder side and on the component side.

### CERTIFICATIONS



### FEATURES

ESD clip ensures conductive contact between PCB and horizontal rail both on the solder side and on the component side

### PRODUCT ATTRIBUTES

Product Type: Guide Rail

Type: ESD Clip

Works With: Subracks; Cases; Chassis

Package Quantity: 50

### WARNING

nVent products shall be installed and used only as indicated in nVent's product instruction sheets and training materials. Instruction sheets are available at [www.nvent.com](http://www.nvent.com) and from your nVent customer service representative. Improper

installation, misuse, misapplication or other failure to completely follow nVent's instructions and warnings may cause product malfunction, property damage, serious bodily injury and death and/or void your warranty.



Our powerful portfolio of brands:

**CADDY   ERICO   HOFFMAN   ILSCO   SCHROFF   TRACHTE**