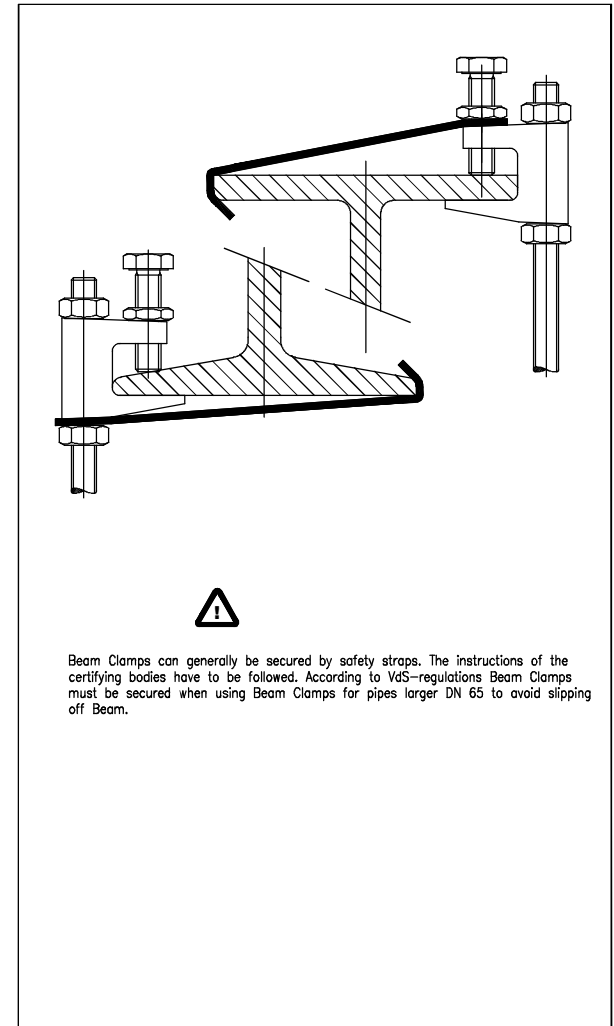
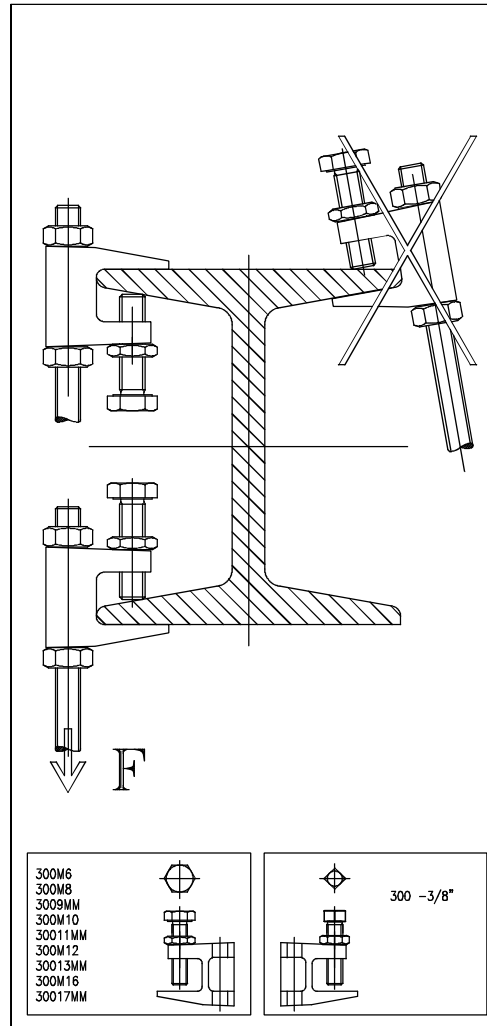
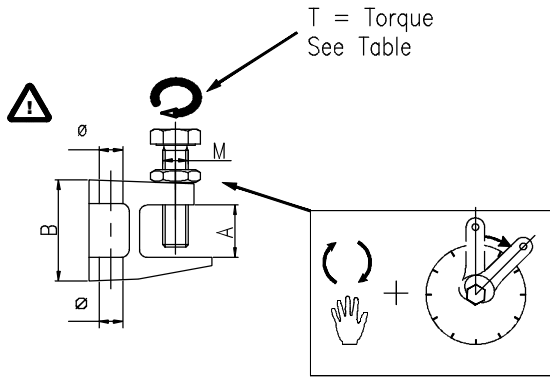


300 Beam Clamps

Part Description	Part Number	A (mm)	B (mm)	M	Ø	T (N*m)	*F (N)	Pipe Size (Nominal)	Approval
300M6	386805	20	36	M8	M6	6	-	-	-
300M8	386810	20	36	M8	M8	6	1200	≤ 2"	VdS
3009MM	389500	20	36	M8	9mm	6	1200	≤ 2"	VdS
300-3/8	3000037EG	20.5	40	3/8"-16	3/8"-16	7	2500	> 2" ≤ 4"	VdS, FM®, UL®
300M10	386820	20.5	40	M10	M10	7	2500	> 2" ≤ 4"	VdS & FM
30011MM	389510	20.5	40	M10	11mm	7	2500	> 2" ≤ 4"	VdS & FM
300M12	386830	20.5	49	M12	M12	14	3500	> 4" ≤ 6"	VdS & FM
30013MM	389520	20.5	49	M12	13mm	14	3500	> 4" < 6"	VdS & FM
300M16	336245	20.5	49	M12	M16	14	5500	> 6" ≤ 8"	VdS
30017MM	389505	20.5	49	M12	17mm	14	5500	> 6" ≤ 8"	VdS

VdS Approval Number G4050085

*NOTE
F = Maximum allowable static load (N)



WARNING:

1. ERICO products shall be installed and used only as indicated in ERICO product instruction sheets and training materials. Instruction sheets are available at www.erico.com and from your ERICO customer service representative.
2. ERICO products must never be used for a purpose other than the purpose for which they were designed or in a manner that exceeds specified load ratings.
3. All instructions must be completely followed to ensure proper and safe installation and performance.
4. Improper installation, misuse, misapplication or other failure to completely follow ERICO's instructions and warnings may cause product malfunction, property damage, serious bodily injury and death.
5. Products that are manufactured using spring steel components shall be used only in a non-corrosive indoor environment
6. All pipe supports, hangers, intermediate components and structural attachments must ONLY be used as described herein and are NEVER to be used for any other purpose.

NOTE: All load ratings are for static conditions and do not account for dynamic loading such as wind, water or seismic loads unless otherwise noted.

The Customer is responsible for:

- a. Conformance to all governing codes.
- b. The integrity of structures to which the products are attached, including their capability of safely accepting the loads imposed, as evaluated by a qualified engineer.
- c. Using appropriate industry standard hardware as noted above.

SAFETY INSTRUCTIONS:

All governing codes and regulations and those required by the job site must be observed. Always use appropriate safety equipment such as eye protection, hard hat, and gloves as appropriate to the application.

FM is a registered certification mark of FM Approvals LLC, LTD
UL is a registered trademark of UL LLC.
VdS is a registered trademark of VdS Schadenverhütung GmbH

CADDY, CADWELD, CRITEC, ERICO, ERIFLEX, ERITECH and LENTON are registered trademarks of ERICO International Corporation.

TECHNICAL SUPPORT:
www.erico.com

