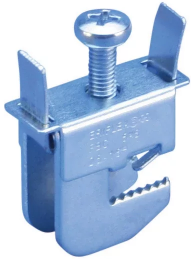


FBC nVent ERIFLEX Flexibar/Cable to Busbar Clamp



CERTIFICATIONS



FEATURES

Very compact clamp for connecting cable conductors or nVent ERIFLEX Flexibar to busbar without drilling

Conductor is clamped with a pressure plate

Clamps can be mounted and slid into position on busbar prior to connecting conductors

Connections can be added after busbar has been mounted

Single screw locks clamp and makes connection

EAC compliant

RoHS compliant

SPECIFICATIONS

Finish: Electrogalvanized

Complies With: IEC@ 60999

Material: Steel

Table 1/2

Catalog Number	Article Number	Busbar Thickness	Conductor Size	Conductor Width	Depth (D)	Height (H)
FBC10X4	553505	10 mm	1 mm ² Stranded - 4 mm ² Stranded		12mm	28 mm
FBC5X4	553405	5 mm	1 mm ² Stranded - 4 mm ² Stranded		11mm	23 mm
FBC10X6	553430	10 mm	2.5 mm ² Stranded - 16 mm ² Stranded	6 mm	14mm	33 mm
FBC5X6	553400	5 mm	2.5 mm ² Stranded - 16 mm ² Stranded	6 mm	14mm	28 mm
FBC10X9	553440	10 mm	16 mm ² Stranded - 50 mm ² Stranded	9 mm	19mm	42 mm
FBC5X9	553410	5 mm	16 mm ² Stranded - 50 mm ² Stranded	9 mm	19mm	36 mm
FBC10X15-5	553530	10 mm	35 mm ² Stranded - 70 mm ² Stranded	15.5 mm	25mm	49 mm
FBC5X15-5	553510	5 mm	35 mm ² Stranded - 70 mm ² Stranded	15.5 mm	25mm	44 mm
FBC5X20	553520	5 mm	70 mm ² Stranded - 185 mm ² Stranded	20 mm	31mm	48 mm
FBC10X20	553540	10 mm	70 mm ² Stranded - 185 mm ² Stranded	20 mm	31mm	54 mm

Table 2/2

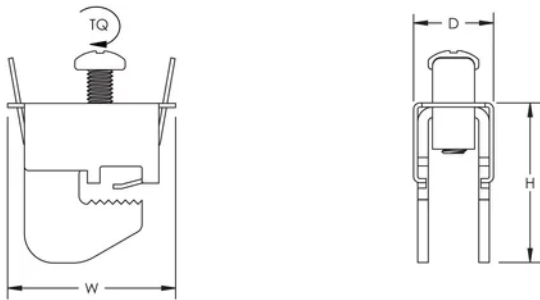
Catalog Number	Article Number	Width (W)	Torque (TQ)	Unit Weight
FBC10X4	553505	29 mm	2 N·m	0.02 kg
FBC5X4	553405	29 mm	2 N·m	0.02 kg
FBC10X6	553430	31 mm	3 N·m	0.03 kg
FBC5X6	553400	31 mm	3 N·m	0.03 kg

Catalog Number	Article Number	Width (W)	Torque (TQ)	Unit Weight
FBC10X9	553440	40 mm	6 - 8 N·m	0.07 kg
FBC5X9	553410	40 mm	6 - 8 N·m	0.07 kg
FBC10X15-5	553530	40 mm	10 - 12 N·m	0.11 kg
FBC5X15-5	553510	40 mm	10 N·m Min	0.11 kg
FBC5X20	553520	40 mm	12 - 15 N·m	0.13 kg
FBC10X20	553540	40 mm	12 - 15 N·m	0.14 kg

ADDITIONAL PRODUCT DETAILS

Conductor must be stripped at least a distance equal to the width of the clamp.

DIAGRAMS



WARNING

nVent products shall be installed and used only as indicated in nVent's product instruction sheets and training materials. Instruction sheets are available at www.nvent.com and from your nVent customer service representative. Improper installation, misuse, misapplication or other failure to completely follow nVent's instructions and warnings may cause product malfunction, property damage, serious bodily injury and death and/or void your warranty.

North America

+1.800.753.9221

Option 1 – Customer Care

Option 2 – Technical

Support

Europe

Netherlands:

+31 800-0200135

France:

+33 800 901 793

Europe

Germany:

800 1890272

Other Countries:

+31 13 5835404

APAC

Shanghai:

+ 86 21 2412 1618/19

Sydney:

+61 2 9751 8500



Our powerful portfolio of brands:

CADDY

ERICO

HOFFMAN

ILSCO

SCHROFF

TRACHTE