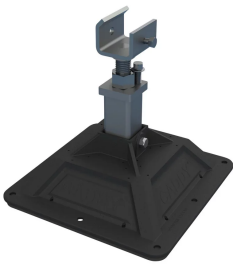


nVent CADDY Pyramid Equipment Support Post Base

CATALOG NUMBER

PEB



FEATURES

Ideal for use with strut channel type A and U-shaped brackets to create custom equipment supports

Height adjustable

Foam bottom offers low abrasion interface for better roof membrane protection

Compatible with roof surfaces including single ply, bituminous, metal and spray foam

Provides superior load distribution, even with varying rooftop surfaces

Hot-dip galvanized and UV stabilized for long lasting performance

PRODUCT ATTRIBUTES

Article Number: 360425

Material: Steel;Polypropylene;Polyethylene

Finish: Hot-Dip Galvanized

Temperature: -34 to 54.4 °C

Static Load Safety Factor: 3:1

Height (H): 305 - 457 mm

Length (L): 314mm

Width (W): 314 mm

A: 76 mm

Surface Area: 0.09m²

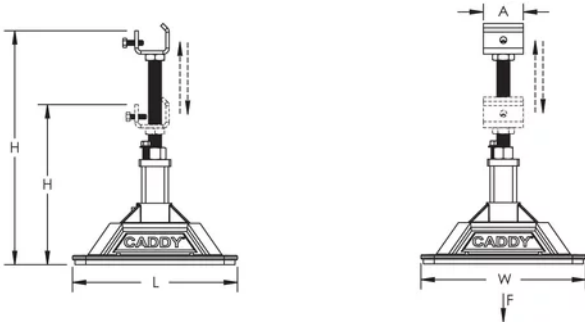
Unit Weight: 4 kg

Static Load: 3340N

ADDITIONAL PRODUCT DETAILS

The end user must select and evaluate the strut framing to ensure the custom assembled equipment support can properly support the applied load.

DIAGRAMS



WARNING

nVent products shall be installed and used only as indicated in nVent's product instruction sheets and training materials. Instruction sheets are available at www.nvent.com and from your nVent customer service representative. Improper installation, misuse, misapplication or other failure to completely follow nVent's instructions and warnings may cause product malfunction, property damage, serious bodily injury and death and/or void your warranty.

North America

+1.800.753.9221

Option 1 – Customer Care

Option 2 – Technical

Support

Europe

Netherlands:

+31 800-0200135

France:

+33 800 901 793

Europe

Germany:

800 1890272

Other Countries:

+31 13 5835404

APAC

Shanghai:

+ 86 21 2412 1618/19

Sydney:

+61 2 9751 8500



Our powerful portfolio of brands:

CADDY

ERICO

HOFFMAN

ILSCO

SCHROFF

TRACHTE

