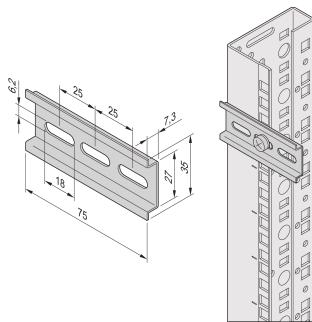


# DIN Rail for Thermostat With Integrated Temperature Sensor

## Data Solutions

### CATALOG NUMBER

**21120-178**



DIN rail for thermostat or hygostat clamping.

The rail short length is convenient for fixing devices with limited footprint.

### CERTIFICATIONS



### FEATURES

DIN rail (EN 50022) 35 mm with fixing materials kit

Lenght 75 mm

### PRODUCT ATTRIBUTES

Product Type: DIN Rail

Height: 7.3mm

Finish: Zinc Plated

Material: Steel

Package Quantity: 1

## WARNING

---

nVent products shall be installed and used only as indicated in nVent's product instruction sheets and training materials. Instruction sheets are available at [www.nvent.com](http://www.nvent.com) and from your nVent customer service representative. Improper installation, misuse, misapplication or other failure to completely follow nVent's instructions and warnings may cause product malfunction, property damage, serious bodily injury and death and/or void your warranty.



Our powerful portfolio of brands:

**CADDY ERICO HOFFMAN ILSCO SCHROFF TRACHTE**