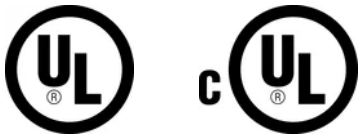


nVent CADDY Speed Link SLS with Hook



CERTIFICATIONS



FEATURES

Complete system includes wire, locking device and pre-assembled hook end fitting

Hooks to a wide range of nVent CADDY fasteners

Fastens to the building structure or hanging services by looping around and hooking to wire rope

Easy to remove for applications requiring maintenance

Spring latch helps provide secure connection

Insert cable through hole and use bottom side of hook as an end stop

Finger tightening of nut secures the locking device into position without tools

Installs in strut profiles without the need to insert fingers or tools into the strut

SPECIFICATIONS

Static Load Safety Factor:	5:1
Finish:	Electrogalvanized
Material:	Steel; Zinc Alloy; Polypropylene
Complies With:	SMACNA HVAC-DCS

Table 1/3

Catalog Number	Article Number	Wire Rope Diameter	Wire Rope Length	A	B	C
SLS2L10	196746	2 mm	10m	57 mm	20 mm	5.5 mm
SLS2L7	196745	2 mm	7m	57 mm	20 mm	5.5 mm
SLS2L2	196742	2 mm	2m	57 mm	20 mm	5.5 mm
SLS2L1	196741	2 mm	1m	57 mm	20 mm	5.5 mm
SLS3L7	196751	3 mm	7m	57.6 mm	23.2 mm	6.1 mm
SLS3L3	196749	3 mm	3m	57.6 mm	23.2 mm	6.1 mm
SLS3L1	196747	3 mm	1m	57.6 mm	23.2 mm	6.1 mm
SLS3L10	196752	3 mm	10m	57.6 mm	23.2 mm	6.1 mm
SLS3L2	196748	3 mm	2m	57.6 mm	23.2 mm	6.1 mm
SLS3L5	196750	3 mm	5m	57.6 mm	23.2 mm	6.1 mm

Table 2/3

Catalog Number	Article Number	Height 1 (H1)	Height 2 (H2)	Thread Size (TS)	Width (W)	Hole Size (HS)
SLS2L10	196746	53mm	43.5mm	M8	16 mm	8 - 10 mm
SLS2L7	196745	53mm	43.5mm	M8	16 mm	8 - 10 mm
SLS2L2	196742	53mm	43.5mm	M8	16 mm	8 - 10 mm
SLS2L1	196741	53mm	43.5mm	M8	16 mm	8 - 10 mm
SLS3L7	196751	53mm	46.5mm	M12	20 mm	12 - 14 mm
SLS3L3	196749	53mm	46.5mm	M12	20 mm	12 - 14 mm

CatalogNumber	Article Number	Height 1 (H1)	Height 2 (H2)	Thread Size (TS)	Width (W)	Hole Size (HS)
SLS3L1	196747	53mm	46.5mm	M12	20 mm	12 - 14 mm
SLS3L10	196752	53mm	46.5mm	M12	20 mm	12 - 14 mm
SLS3L2	196748	53mm	46.5mm	M12	20 mm	12 - 14 mm
SLS3L5	196750	53mm	46.5mm	M12	20 mm	12 - 14 mm

Table 3/3

Catalog Number	Article Number	Slot Size (SS)	Thickness (T)	Static Load
SLS2L10	196746	8 x 6.5 mm - 8 x 10 mm	4 mm Max	270N
SLS2L7	196745	8 x 6.5 mm - 8 x 10 mm	4 mm Max	270N
SLS2L2	196742	8 x 6.5 mm - 8 x 10 mm	4 mm Max	270N
SLS2L1	196741	8 x 6.5 mm - 8 x 10 mm	4 mm Max	270N
SLS3L7	196751	12 x 10 mm - 12 x 14 mm	6 mm Max	670N
SLS3L3	196749	12 x 10 mm - 12 x 14 mm	6 mm Max	670N
SLS3L1	196747	12 x 10 mm - 12 x 14 mm	6 mm Max	670N
SLS3L10	196752	12 x 10 mm - 12 x 14 mm	6 mm Max	670N
SLS3L2	196748	12 x 10 mm - 12 x 14 mm	6 mm Max	670N
SLS3L5	196750	12 x 10 mm - 12 x 14 mm	6 mm Max	670N

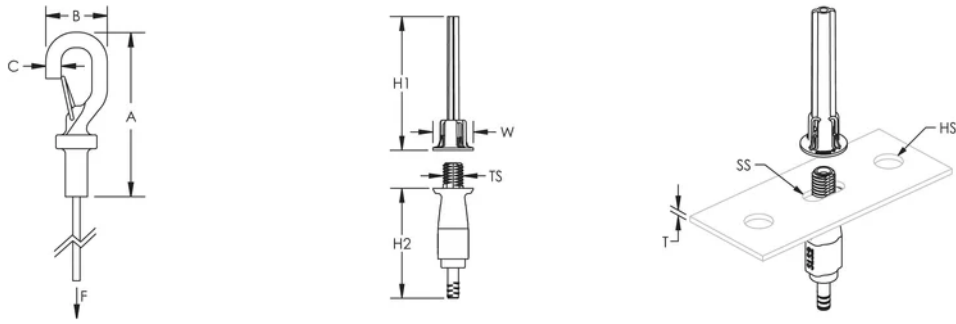
ADDITIONAL PRODUCT DETAILS

The 2 mm locking device is compatible with C-Channel Types E0 and E0L.

The 3 mm locking device is compatible with C-Channel Types E1, E2, E2L, E3, E4, E5, Strut Channel Type C, Slotted, Strut Channel Type A, Slotted, Strut Channel Type AS, Perforated, Strut Channel Type CC, Slotted, Strut Channel Type AA, Slotted.

Total load per wire on a multi-tier trapeze must not exceed static load.

DIAGRAMS



WARNING

nVent products shall be installed and used only as indicated in nVent's product instruction sheets and training materials. Instruction sheets are available at www.nvent.com and from your nVent customer service representative. Improper installation, misuse, misapplication or other failure to completely follow nVent's instructions and warnings may cause product malfunction, property damage, serious bodily injury and death and/or void your warranty.

North America

+1.800.753.9221
Option 1 – Customer Care
Option 2 – Technical
Support

Europe

Netherlands:
+31 800-0200135
France:
+33 800 901 793

Europe

Germany:
800 1890272
Other Countries:
+31 13 5835404

APAC

Shanghai:
+ 86 21 2412 1618/19
Sydney:
+61 2 9751 8500



Our powerful portfolio of brands:

CADDY ERICO HOFFMAN ILSCO SCHROFF TRACHTE

