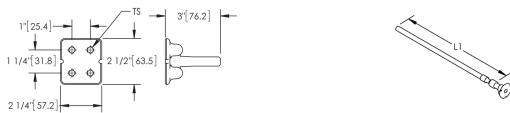


Earthbridge B161, Four Stud, Insulated Cable, Straight



Earthbridges are assemblies made from a high-quality conductive earthpoint (connecting terminal) and various types of conductors. The nVent ERICO Cadweld exothermic connection process is used to combine them together, forming a highly corrosion resistant and long-lasting assembly.

DIAGRAMS



FEATURES

Long-lasting design

Low ground resistance and impedance

Superior electrical conductivity and resistance to corrosion

Electrically and mechanically robust and reliable

Easy to install

SPECIFICATIONS

- Earthpoint Type:** B161, Four Stud
- Material:** Copper
- Conductor Type:** Yellow-Green Insulated Cable, Straight

Table 1/3

Catalog Number	Type	Conductor Size	Length (L)	Depth 1 (D1)	Depth 2 (D2)	Width 1 (W1)

BF10C50S100H C	BFCS	50 mm ² Stranded	1000mm	30mm	65mm	30 mm
BF10C50S050H	BFCS	50 mm ² Stranded	500mm	30mm	65mm	30 mm

Table 2/3

Catalog Number	Width 2 (W2)	Thread Size (TS)	Hole Quantity	Rebar Assembly Type	Hardware Included	Earthbridge Application
BF10C50S100H C	65 mm	M10	4	Cadweld or Clamp	Yes	Building
BF10C50S050H	65 mm	M10	4	Cadweld or Clamp	Yes	Building

Table 3/3

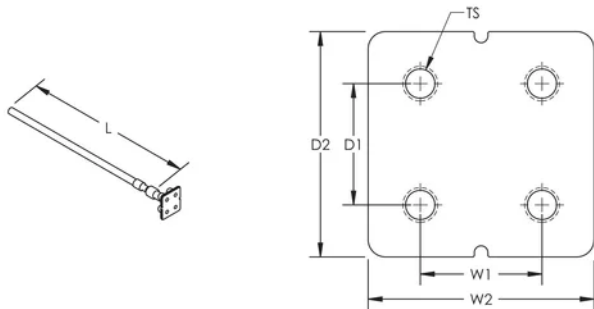
Catalog Number	Complies With
BF10C50S100HC	EN IEC® 62561-1 Class H 100kA
BF10C50S050H	EN IEC® 62561-1 Class H 100kA

ADDITIONAL PRODUCT DETAILS

Includes (4) brass bolts, (4) brass washers, (4) plastic caps, and (1) protective label.

DB-16-C-70-S-050-C		
DB	Earth Point	DB: 1 hole BT: 2 holes BF: 4 holes LU: M16 lug TA: tape
16	Thread Size	10: M10 12: M12 16: M16 40: Tape 40x5mm 30: Tape 30x4mm
C	Conductor Type	K: Steel Rond C: Y/G Cable T: Steel Bar F: Steel Bar 4mm N: NYY-O Cable H: N2XH-0 Cable
70	Conductor Size	12: D12mm 16: D16mm 30: 30x4mm 40: 40x5mm 50: 50mm ² 70: 70mm ² 95: 95mm ²
S	Conductor Angle	S: 0° P: 90° A: 45°
050	Length (cm)	xxx
x	Termination (option if cable)	SR: Solid Round EP: Earthpoint perpendicular ES: Earthpoint straight TA: Tape of 100mm TP: Tape of 150mm LU: M16 lug
x	Bolts & Washer	- : No Hardware H: With Hardware
C	Packaging	- : by unit (Made-to-Stock) C: 5 pieces (Made-to-Order) G: 25 pieces (Made-to-Order)

DIAGRAMS



WARNING

nVent products shall be installed and used only as indicated in nVent's product instruction sheets and training materials. Instruction sheets are available at www.nvent.com and from your nVent customer service representative. Improper installation, misuse, misapplication or other failure to completely follow nVent's instructions and warnings may cause product malfunction, property damage, serious bodily injury and death and/or void your warranty.

North America

+1.800.753.9221

Option 1 – Customer Care

Option 2 – Technical

Support

Europe

Netherlands:

+31 800-0200135

France:

+33 800 901 793

Europe

Germany:

800 1890272

Other Countries:

+31 13 5835404

APAC

Shanghai:

+ 86 21 2412 1618/19

Sydney:

+61 2 9751 8500



Our powerful portfolio of brands:

CADDY

ERICO

HOFFMAN

ILSCO

SCHROFF

TRACHTE