

Plug-In Unit Kit With IEL Handle, Shielded, Black, 3 U



Plug-in unit, with IEL inserter/extractor black handle, 3 U, front assembly. The U-shaped front panel enable shielding with a textile gasket.

CERTIFICATIONS



FEATURES

U-shaped front panel for textile gasket

Suitable for insertion and extraction forces up to 700 N (per pair)

Enable the installation of a microswitch

Enable the installation of coding pegs in accordance with IEC 60297-3-103/ IEEE 1101.10

SPECIFICATIONS

Material:	Aluminum
Finish:	Anodized; Passivated
Product Type:	Front Panel
Type:	Front Panel with Handle (PIU)

Table 1/3

Catalog Number	Rack Width	Package Quantity	Handle Type	Mounting	EMC Gasket Type	Front Finish
----------------	------------	------------------	-------------	----------	-----------------	--------------

20848-585	4HP	1	IEL	Screw-on Front	Textile	Anodized
20848-589	8HP	1	IEL	Screw-on Front	Textile	Anodized
20848-591	12HP	1	IEL	Screw-on Front	Textile	Anodized
20848-587	6HP	1	IEL	Screw-on Front	Textile	Anodized
20848-590	10HP	1	IEL	Screw-on Front	Textile	Anodized

Table 2/3

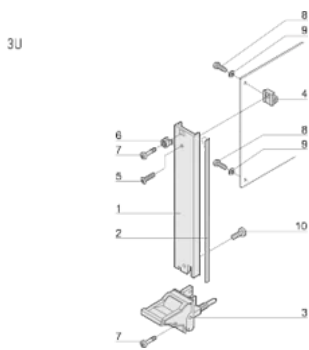
Catalog Number	Rear Finish	Treated Edges	Complies With	EMC Shielding	Height (H)	Rack Height
20848-585	Etched	No	IEC 60297-3-102, IEEE 1101.10, IEC 60297-3-103, IEEE 1101.1/11	Yes	128.4mm	3U
20848-589	Etched	No	IEC 60297-3-102, IEEE 1101.10, IEC 60297-3-103, IEEE 1101.1/11	Yes	128.4mm	3U
20848-591	Etched	No	IEC 60297-3-102, IEEE 1101.10, IEC 60297-3-103, IEEE 1101.1/11	Yes	128.4mm	3U
20848-587	Etched	No	IEC 60297-3-102, IEEE 1101.10, IEC 60297-3-103, IEEE 1101.1/11	Yes	128.4mm	3U
20848-590	Etched	No	IEC 60297-3-102, IEEE 1101.10, IEC 60297-3-103, IEEE 1101.1/11	Yes	128.4mm	3U

Table 3/3

Catalog Number	Width (W)	Quick Ship
20848-585	20mm	No

Catalog Number	Width (W)	Quick Ship
20848-589	40.3mm	No
20848-591	60.6mm	No
20848-587	30.1mm	No
20848-590	50.5mm	No

DIAGRAMS



WARNING

nVent products shall be installed and used only as indicated in nVent's product instruction sheets and training materials. Instruction sheets are available at www.nvent.com and from your nVent customer service representative. Improper installation, misuse, misapplication or other failure to completely follow nVent's instructions and warnings may cause product malfunction, property damage, serious bodily injury and death and/or void your warranty.

North America

All locations
+1.763.422.2661
Chat with us:
nvent.com/schroff

Europe

Straubenhardt, Germany
+49.7082.794.0
Betschdorf, France
+33.3.88.90.64.90
Warsaw, Poland
+48.22.209.98.35
Assago, Italy
+39.02.932.7141
Chat with us:
nvent.com/schroff

Asia

Shanghai, China
+86.21.2412.6943
Qingdao, China
+86.532.8771.6101
Singapore
+65.6768.5800
Shin-Yokohama, Japan
+81.45.476.0271
Chat with us:
nvent.com/schroff

Middle East & India

Dubai, United Arab Emirates
+971.4.378.1700
Bangalore, India
+91.80.6715.2001
Istanbul, Turkey
+90.216.250.7374
Chat with us:
nvent.com/schroff



Our powerful portfolio of brands:

CADDY ERICO HOFFMAN ILSCO SCHROFF TRACHTE