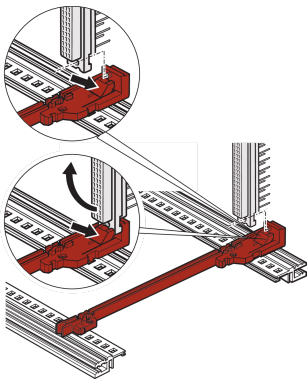


Guide Rail Standard Type, With DIN Connector Fixing, Plastic, 220 mm, 2 mm Groove Width, Red, 1 Pair

Power Utilities

CATALOG NUMBER

64560-075



The the standard type guide rail with connector fixing allows the user to clip the DIN connectors directly onto the guide rails. Only applicable with Euroboards with the dimensions 100 x 160 mm and 100 x 220 mm. Suitable for RatiopacPRO/-AIR, PropacPRO, CompacPRO and EuropacPRO.

CERTIFICATIONS



FEATURES

Easy and economic mounting of connectors through snap connections as alternative to z-rails or horizontal rails with integrated z-rail

For single Euroboard format 100 x 160 mm or 100 x 220 mm; not suitable for double Euroboard format

Plastic guide rail, one piece, red, for 2 mm groove width

Can be clipped into horizontal rails in Al extrusion

Can be clipped into 1.5 mm thick plate

Storage temperature: from -40 °C ... 130 °C

PRODUCT ATTRIBUTES

Product Type: Guide Rail

Type: Standard with DIN Connector

Works With: Subracks; Cases; Chassis

Board Depth: 220 mm

Groove Width: 2

Material: Plastic

Color: Red

Package Quantity: 1

Package Unit: Pair

ADDITIONAL PRODUCT DETAILS

Delivery is in standard pack multiples. Pricing is per individual item.

Please take into consideration that deliveries may be carried out in the stated SPQs (SPQ, e.g. 5 pieces, 10 pieces, 50 pieces, etc.). Differing order quantities (e.g. 2 pieces) may be changed to the next possible delivery quantity = Standard Pack Quantity.

WARNING

nVent products shall be installed and used only as indicated in nVent's product instruction sheets and training materials. Instruction sheets are available at www.nvent.com and from your nVent customer service representative. Improper installation, misuse, misapplication or other failure to completely follow nVent's instructions and warnings may cause product malfunction, property damage, serious bodily injury and death and/or void your warranty.



Our powerful portfolio of brands:

CADDY ERICO HOFFMAN ILSCO SCHROFF TRACHTE