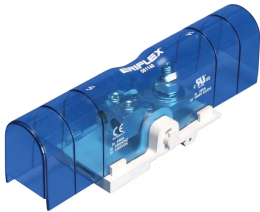


# SBLT-250 Lug-to-Tunnel Power Terminal



## CERTIFICATIONS



## FEATURES

Tinned copper block allows for copper or aluminum conductor connections

Accessible studs and tunnels allow for easy connection of nVent ERIFLEX Flexibar and other conductors

Design allows for visual inspection of conductor and confirmation of connection

Adjustable transparent cover

Modular snap-together blocks for building multi-pole power blocks

Easily clips onto DIN rail or mounts to panel with screws

SBLEC Power Terminals Fixing Accessory required for direct panel mount

RoHS compliant

Halogen free

## SPECIFICATIONS

|                |                         |
|----------------|-------------------------|
| Catalog Number | <b>SBLT-250</b>         |
| Article Number | 561140                  |
| Material       | Copper<br>Thermoplastic |

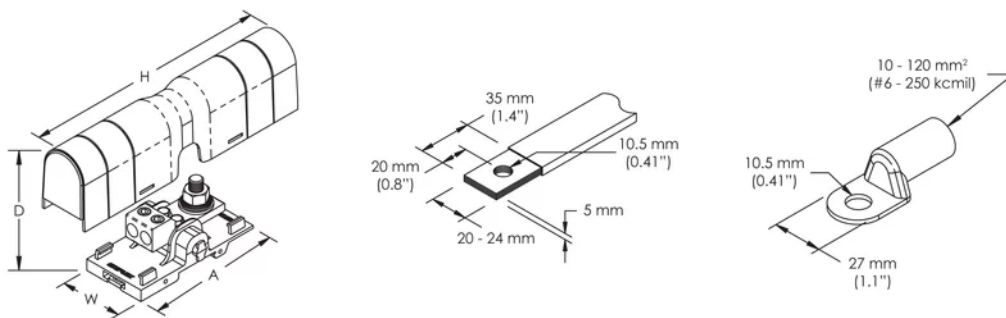
| Catalog Number                                     | SBLT-250                    |
|--|-----------------------------|
| Finish   | Tinned                      |
| Max Current Rating, IEC                            | 350A                        |
| Max Current Rating, UL/CSA                         | 300A                        |
| Short Term Withstand Current (I <sub>cw</sub> ) 1s | 8.4kA                       |
| Peak Short Circuit Current (I <sub>pk</sub> )      | 30kA                        |
| Short Circuit Current Rating (SCCR)                | 100kA                       |
| Max Working Voltage, IEC (U <sub>i</sub> )         | 1000<br>1500                |
| Max Working Voltage, UL (V <sub>in</sub> )         | 1000                        |
| Number of Stud Connections                         | 1                           |
| Stud Connection Conductor Width                    | 20 – 24 mm                  |
| Stud Connection Compact Stranded Wire Size         | 10 – 120 mm <sup>2</sup>    |
| Stud Connection Wire Size                          | #6 - 250 kcmil              |
| Number of Tunnel Connections                       | 2                           |
| Tunnel Connection Compact Stranded Wire Size       | (2) 10 – 50 mm <sup>2</sup> |
| Tunnel Connection Wire Size - Ferrule              | (2) 10 – 35 mm <sup>2</sup> |
| Tunnel Connection Wire Size                        | (2) #8 – 1/0                |
| Depth (D)  | 65mm                        |
| Height (H)   | 205.7 mm                    |
| Width (W)  | 52.3 mm                     |
| A  | 108 mm                      |
| Unit Weight  | 0.27 kg                     |
| Certification Details                              | UL® 1059                    |
| Flammability Rating                                | UL® 94V-1                   |
| Complies With                                      | IEC® 60947-7-1              |

## ADDITIONAL PRODUCT DETAILS

Power terminal connections are interchangeable and can be used as line side or load side connections.

| Design Guideline for Distribution Blocks, Power Blocks and Power Terminals              |     |     |     |      |      |      |      |      |      |      |
|---|-----|-----|-----|------|------|------|------|------|------|------|
| Derating according to Ambient* Temperature (°C) to maintain working temperature of 85°C |     |     |     |      |      |      |      |      |      |      |
| Ambient Temperature (°C)  | 30° | 35° | 40° | 45°  | 50°  | 55°  | 60°  | 65°  | 70°  | 75°  |
| Derating Coefficient (d)  | 1   | 1   | 1   | 0.94 | 0.88 | 0.82 | 0.75 | 0.67 | 0.58 | 0.47 |
| *environment around the terminal blocks inside the enclosure                            |     |     |     |      |      |      |      |      |      |      |

## DIAGRAMS



## WARNING

nVent products shall be installed and used only as indicated in nVent's product instruction sheets and training materials. Instruction sheets are available at [www.nvent.com](http://www.nvent.com) and from your nVent customer service representative. Improper installation, misuse, misapplication or other failure to completely follow nVent's instructions and warnings may cause product malfunction, property damage, serious bodily injury and death and/or void your warranty.

### North America

+1.800.753.9221  
Option 1 – Customer Care  
Option 2 – Technical  
Support

### Europe

Netherlands:  
+31 800-0200135  
France:  
+33 800 901 793

### Europe

Germany:  
800 1890272  
Other Countries:  
+31 13 5835404

### APAC

Shanghai:  
+ 86 21 2412 1618/19  
Sydney:  
+61 2 9751 8500



Our powerful portfolio of brands:

**CADDY ERICO HOFFMAN ILSCO SCHROFF TRACHTE**