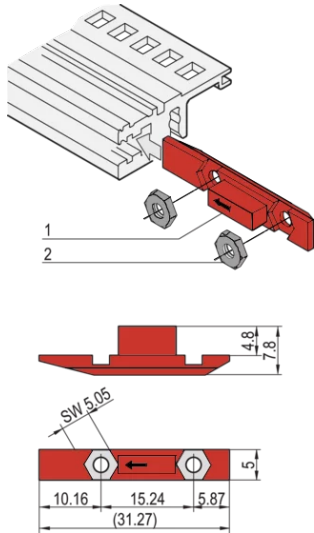


Slide Nut



The slide nut is inserted into the groove of the horizontal rail instead of the threaded insert to assemble a bottom hinged front panel.

CERTIFICATIONS



FEATURES

The slide nut is inserted into the groove of the horizontal rail instead of the threaded insert

SPECIFICATIONS

- Product Type:** Nut
- Material:** Polybutylene Terephthalate
- Type:** Slide Nut

Table 1/1

Catalog Number	Package Quantity	Works With	Quick Ship
24560-166	12	Front Panels	No

Catalog Number	Package Quantity	Works With	Quick Ship
24560-165	100	Front Panels	No

ADDITIONAL PRODUCT DETAILS

Please see the assembly instruction for more details.

WARNING

nVent products shall be installed and used only as indicated in nVent's product instruction sheets and training materials. Instruction sheets are available at www.nvent.com and from your nVent customer service representative. Improper installation, misuse, misapplication or other failure to completely follow nVent's instructions and warnings may cause product malfunction, property damage, serious bodily injury and death and/or void your warranty.

North America

All locations
+1.763.422.2661
Chat with us:
nvent.com/schroff

Europe

Straubenhardt, Germany
+49.7082.794.0
Betschdorf, France
+33.3.88.90.64.90
Warsaw, Poland
+48.22.209.98.35
Assago, Italy
+39.02.932.7141
Chat with us:
nvent.com/schroff

Asia

Shanghai, China
+86.21.2412.6943
Qingdao, China
+86.532.8771.6101
Singapore
+65.6768.5800
Shin-Yokohama, Japan
+81.45.476.0271
Chat with us:
nvent.com/schroff

Middle East & India

Dubai, United Arab Emirates
+971.4.378.1700
Bangalore, India
+91.80.6715.2001
Istanbul, Turkey
+90.216.250.7374
Chat with us:
nvent.com/schroff



Our powerful portfolio of brands:

CADDY ERICO HOFFMAN ILSCO SCHROFF TRACHTE