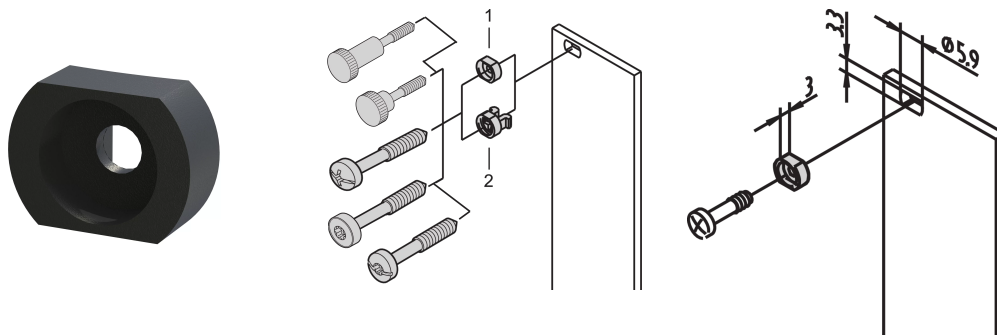


# Sleeves for M2.5, Brass, Black; 100 pieces

## CATALOG NUMBER

**21100-886**



Sleeve guides the collar screw when fastening the front panel.

## CERTIFICATIONS



## FEATURES

Sleeve guides the collar screw when fastening the front panel

Sleeve is inserted into the elongated hole of the front panel

## PRODUCT ATTRIBUTES

Material: Brass

Finish: Organic Top Coat

Package Quantity: 100

Depth (D): 4.4mm

Height (H): 6mm

Product Type: Sleeve

Width (W): 8mm

Works With: Front Panels

## ADDITIONAL PRODUCT DETAILS

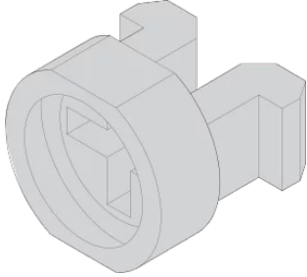
---

Metal sleeves on the partial front panels must be pressed in.

All sleeves can be used for front panel > 2 HP.

## DIAGRAMS

---



## WARNING

---

nVent products shall be installed and used only as indicated in nVent's product instruction sheets and training materials. Instruction sheets are available at [www.nvent.com](http://www.nvent.com) and from your nVent customer service representative. Improper installation, misuse, misapplication or other failure to completely follow nVent's instructions and warnings may cause product malfunction, property damage, serious bodily injury and death and/or void your warranty.

### North America

All locations  
+1.763.422.2661  
Chat with us:  
[nvent.com/schroff](http://nvent.com/schroff)

### Europe

Straubenhardt, Germany  
+49.7082.794.0  
Betschdorf, France  
+33.3.88.90.64.90  
Warsaw, Poland  
+48.22.209.98.35  
Assago, Italy  
+39.02.932.7141  
Chat with us:  
[nvent.com/schroff](http://nvent.com/schroff)

### Asia

Shanghai, China  
+86.21.2412.6943  
Qingdao, China  
+86.532.8771.6101  
Singapore  
+65.6768.5800  
Shin-Yokohama, Japan  
+81.45.476.0271  
Chat with us:  
[nvent.com/schroff](http://nvent.com/schroff)

### Middle East & India

Dubai, United Arab Emirates  
+971.4.378.1700  
Bangalore, India  
+91.80.6715.2001  
Istanbul, Turkey  
+90.216.250.7374  
Chat with us:  
[nvent.com/schroff](http://nvent.com/schroff)



Our powerful portfolio of brands:

**CADDY ERICO HOFFMAN ILSCO SCHROFF TRACHTE**