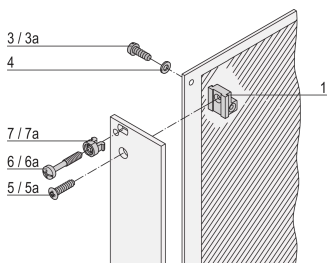
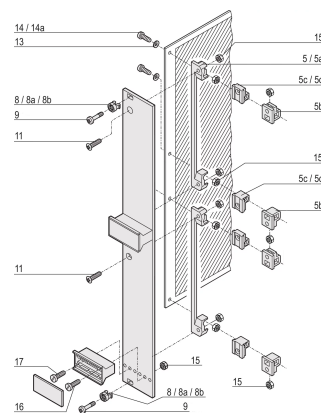
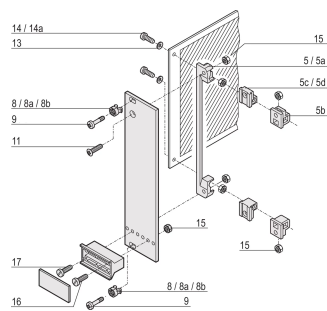
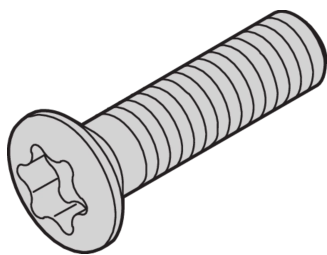


Countersunk Screw, Raised, Torx M2.5 x 8 mm, Nickel Plated; 100 pieces

CATALOG NUMBER

24560-164



Countersunk screws are used for numerous mounting options in a subrack or desktop case.

CERTIFICATIONS



FEATURES

Countersunk screw

PRODUCT ATTRIBUTES

Length: 8mm

Material: Steel

Finish: Nickel Plated

Package Quantity: 100

Thread Size: M2.5

Height: 4.7mm

Product Type: Screw

Type: Countersunk Screw

Width: 4.7mm

Works With: Front Panels

Thread Type: Metric

WARNING

nVent products shall be installed and used only as indicated in nVent's product instruction sheets and training materials. Instruction sheets are available at www.nvent.com and from your nVent customer service representative. Improper installation, misuse, misapplication or other failure to completely follow nVent's instructions and warnings may cause product malfunction, property damage, serious bodily injury and death and/or void your warranty.

North America

All locations
+1.763.422.2661
Chat with us:
nvent.com/schroff

Europe

Straubenhardt, Germany
+49.7082.794.0
Betschdorf, France
+33.3.88.90.64.90
Warsaw, Poland
+48.22.209.98.35
Assago, Italy
+39.02.932.7141
Chat with us:
nvent.com/schroff

Asia

Shanghai, China
+86.21.2412.6943
Qingdao, China
+86.532.8771.6101
Singapore
+65.6768.5800
Shin-Yokohama, Japan
+81.45.476.0271
Chat with us:
nvent.com/schroff

Middle East & India

Dubai, United Arab
Emirates
+971.4.378.1700
Bangalore, India
+91.80.6715.2001
Istanbul, Turkey
+90.216.250.7374
Chat with us:
nvent.com/schroff



Our powerful portfolio of brands:

CADDY ERICO HOFFMAN ILSCO SCHROFF TRACHTE