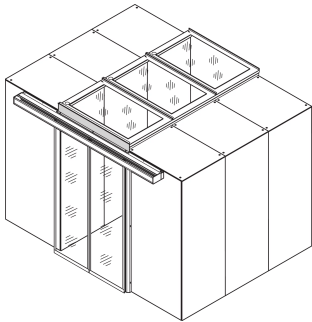


Aisle Containment Door Adapter Panel, 80H, RAL 7021

CATALOG NUMBER

21130-040



Blanking panels for different aisle containment heights to avoid air leakage at aisle.

CERTIFICATIONS



FEATURES

Cover to close gaps above the containment door

PRODUCT ATTRIBUTES

Type: Above Door Filler Panel, Sliding Door

Height: 102mm

Works With: Aisle Containment

Package Quantity: 1

Color: Black Grey

Color Code: RAL 7021

Finish: Powder Coated

Material: Steel

Product Type: Cover

Width: 1200mm

Net Weight: 2.367kg

ADDITIONAL PRODUCT DETAILS

Trim covers upper area over door to the top cover.

WARNING

nVent products shall be installed and used only as indicated in nVent's product instruction sheets and training materials. Instruction sheets are available at www.nvent.com and from your nVent customer service representative. Improper installation, misuse, misapplication or other failure to completely follow nVent's instructions and warnings may cause product malfunction, property damage, serious bodily injury and death and/or void your warranty.

North America

All locations
+1.763.422.2661
Chat with us:
nvent.com/schroff

Europe

Straubenhardt, Germany
+49.7082.794.0
Betschdorf, France
+33.3.88.90.64.90
Warsaw, Poland
+48.22.209.98.35
Assago, Italy
+39.02.932.7141
Chat with us:
nvent.com/schroff

Asia

Shanghai, China
+86.21.2412.6943
Qingdao, China
+86.532.8771.6101
Singapore
+65.6768.5800
Shin-Yokohama, Japan
+81.45.476.0271
Chat with us:
nvent.com/schroff

Middle East & India

Dubai, United Arab
Emirates
+971.4.378.1700
Bangalore, India
+91.80.6715.2001
Istanbul, Turkey
+90.216.250.7374
Chat with us:
nvent.com/schroff



Our powerful portfolio of brands:

CADDY ERICO HOFFMAN ILSCO SCHROFF TRACHTE