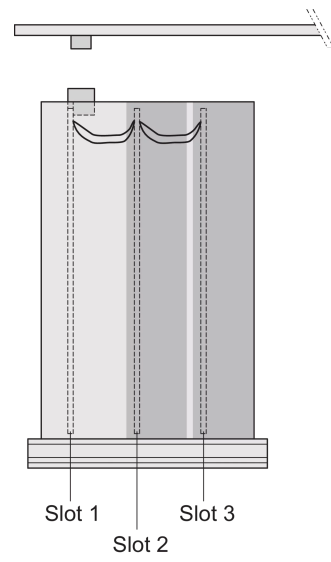
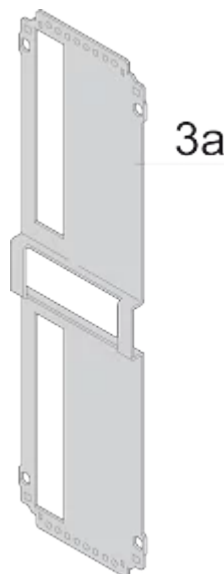
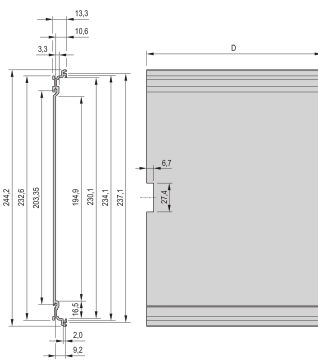
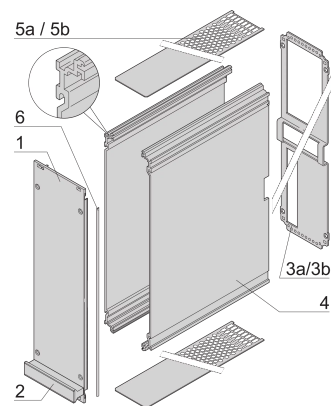
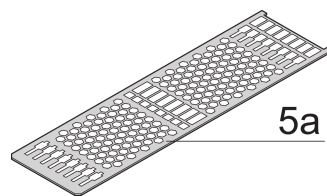


Frame Type Plug-In Unit PRO Kit, Shielded, Perforated, 1 Connector, 6 U, 21 HP, 167 mm

CATALOG NUMBER

24813-721



Protects a PCB against mechanical damage and discharges electrostatic buildup; for Euroboard formats; pair panel with one cutout for one connector.

CERTIFICATIONS



FEATURES

Cover plate with perforation, for guide rails (airflow approx. 60 %)

Rear panel with cut-out for single connector (conforms to EN 60603, DIN 41612, construction types: B, C, D, F, H, Q, R, S)

Extruded side panels with groove to right and left, to insert a PCB (board position in accordance with standard in left side panel only)

PRODUCT ATTRIBUTES

Rack Height: 6U

Rack Width: 21HP

Depth (D): 167mm

Handle Type: Trapezoid

Package Quantity: 1

EMC Gasket Type: Textile

Rear Panel Type: Single Connector Cut-Out

Cover Plate Type: Cover Plate with Perforation for Guide Rails

Front Finish: Anodized

Rear Finish: Conductive

Cooling: Perforated

EMC Shielding: Yes

Finish: Anodized; Passivated

Material: Aluminum

Product Type: Cassette

Type: Frame Type Plug-in Units PRO

ADDITIONAL PRODUCT DETAILS

To fit further boards without rear connector, guide rail (part no. 24812-301) and 'Board fixing from slot 2' (part no. 24812-301 + screw part no. 24560-178) are required, 2 guide rails, 2 rear panel holders and board fixing for slot 1 and one slot 2 are already included.

Please order guide rails separately.

North America

All locations

+1.763.422.2661

Chat with us:

nvent.com/schroff

Europe

Straubenhardt, Germany

+49.7082.794.0

Betschdorf, France

+33.3.88.90.64.90

Warsaw, Poland

+48.22.209.98.35

Assago, Italy

+39.02.932.7141

Chat with us:

nvent.com/schroff

Asia

Shanghai, China

+86.21.2412.6943

Qingdao, China

+86.532.8771.6101

Singapore

+65.6768.5800

Shin-Yokohama, Japan

+81.45.476.0271

Chat with us:

nvent.com/schroff

Middle East & India

Dubai, United Arab

Emirates

+971.4.378.1700

Bangalore, India

+91.80.6715.2001

Istanbul, Turkey

+90.216.250.7374

Chat with us:

nvent.com/schroff



Our powerful portfolio of brands:

CADDY

ERICO

HOFFMAN

ILSCO

SCHROFF

TRACHTE