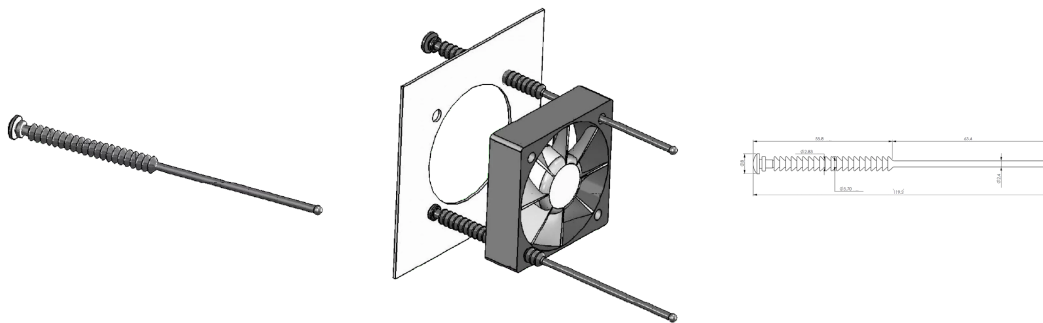


Interscale Fan Fixing Cord

CATALOG NUMBER

20713-979



Interscale Fan Fixing Cord, for vibration-damping fixitaion of fans in cases and chassis.

FEATURES

Interscale Fan Fixing Cord, for vibration-damping fixitaion of fans in cases and chassis

Can be used for the assembly of fans with a hole for mounting diameter of 4.0 to 4.5 mm

The width of the fan can be 15 up to 50 mm

PRODUCT ATTRIBUTES

Product Type: Mounting Kit

Product Family: Interscale

Type: Gasket

Works With: Small Form Factor Cases

Material: Silicone Rubber

Package Quantity: 100

WARNING

nVent products shall be installed and used only as indicated in nVent's product instruction sheets and training materials. Instruction sheets are available at www.nvent.com and from your nVent customer service representative. Improper installation, misuse, misapplication or other failure to completely follow nVent's instructions and warnings may cause product malfunction, property damage, serious bodily injury and death and/or void your warranty.

North America

All locations

+1.763.422.2661

Chat with us:

nvent.com/schroff

Europe

Straubenhardt, Germany

+49.7082.794.0

Betschdorf, France

+33.3.88.90.64.90

Warsaw, Poland

+48.22.209.98.35

Assago, Italy

+39.02.932.7141

Chat with us:

nvent.com/schroff

Asia

Shanghai, China

+86.21.2412.6943

Qingdao, China

+86.532.8771.6101

Singapore

+65.6768.5800

Shin-Yokohama, Japan

+81.45.476.0271

Chat with us:

nvent.com/schroff

Middle East & India

Dubai, United Arab Emirates

+971.4.378.1700

Bangalore, India

+91.80.6715.2001

Istanbul, Turkey

+90.216.250.7374

Chat with us:

nvent.com/schroff



Our powerful portfolio of brands:

CADDY

ERICO

HOFFMAN

ILSCO

SCHROFF

TRACHTE