

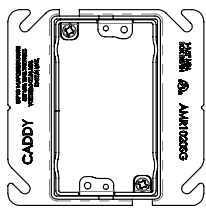
# ADJUSTABLE MUD RING

## AMR SERIES

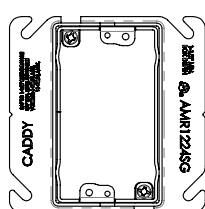
PART NUMBER	WALL THICKNESS	ELECTRICAL BOX SIZE	NO. OF DEVICES	DESCRIPTION
AMR1020SG	5/8" - 1-1/4"	4" SQUARE	1	ADJUSTABLE MUD RING, SINGLE GANG, 4" SQUARE, 5/8" - 1 1/4" SLEEVE RANGE
AMR1224SG	5/8" - 1-1/2"	4" SQUARE	1	ADJUSTABLE MUD RING, SINGLE GANG, 4" SQUARE, 3/4" - 1 1/2" SLEEVE RANGE
AMR1224SG41	5/8" - 1-1/2"	4-11/16"	1	ADJUSTABLE MUD RING, SINGLE GANG, 4-11/16" SQUARE, 3/4" - 1 1/2" SLEEVE RANGE
AMR1024DG	5/8" - 1-1/2"	4" SQUARE	2	ADJUSTABLE MUD RING, DOUBLE GANG, 4" SQUARE, 5/8" - 1 1/2" SLEEVE RANGE
AMR1024DG41	5/8" - 1-1/2"	4-11/16"	2	ADJUSTABLE MUD RING, DOUBLE GANG, 4-11/16" SQUARE, 5/8" - 1 1/2" SLEEVE RANGE
AMR1224TG	5/8" - 1-1/2"	3 GANG	3	ADJUSTABLE MUD RING, 3 GANG, 3/4" - 1 1/2" SLEEVE RANGE
AMR1224RO	5/8" - 1-1/2"	ROUND	1	ADJUSTABLE MUD RING, ROUND GANG, 3/4" - 1 1/2" SLEEVE RANGE
AMRSGEX	ADDS 1"	SINGLE	1	EXTENSION RING, SINGLE GANG, 1" WALL ADD
AMRDGEX	ADDS 1"	DOUBLE	2	EXTENSION RING, DOUBLE GANG, 1" WALL ADD
AMRTGEX	ADDS 1"	3 GANG	3	EXTENSION RING, 3 GANG, 1" WALL ADD
AMRROEX	ADDS 1"	ROUND	1	EXTENSION RING, ROUND GANG, 1" WALL ADD

\* FOR MIN. BOX DEPTH OF 1 1/2"

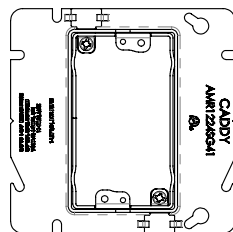
### ASSEMBLIES



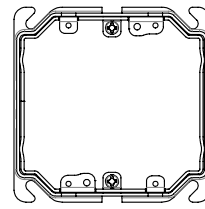
AMR1020SG



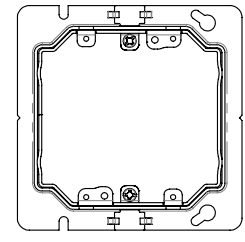
AMR1224SG



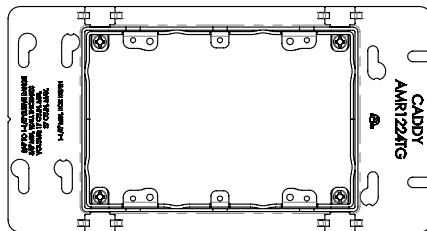
AMR1224SG41



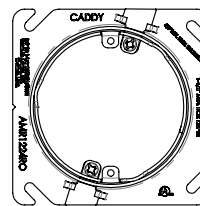
AMR1024DG



AMR1024DG41

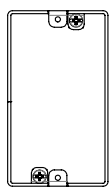


AMR1224TG

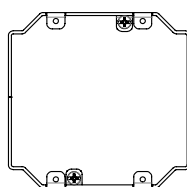


AMR1224RO

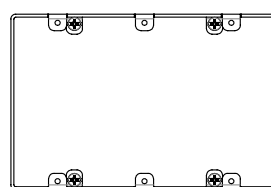
### ACCESSORIES



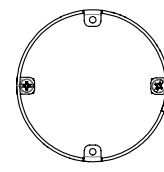
AMRSGEX



AMRDGEX



AMRTGEX



AMRROEX

#### WARNING:

- nVent products shall be installed and used only as indicated in nVent product instruction sheets and training materials. Instruction sheets are available at [www.nVent.com](http://www.nVent.com) and from your nVent customer service representative.
- nVent products must never be used for a purpose other than the purpose for which they were designed or in a manner that exceeds specified load ratings.
- All instructions must be completely followed to ensure proper and safe installation and performance.
- Improper installation, misuse, misapplication or other failure to completely follow nVent's instructions and warnings may cause product malfunction, property damage, serious bodily injury and/or death, and void your warranty.
- Products that are manufactured using spring steel components shall be used only in a non-corrosive indoor environment.
- All pipe supports, hangers, intermediate components and structural attachments must ONLY be used as described herein and are NEVER to be used for any other purpose.

NOTE: All load ratings are for static conditions and do not account for dynamic loading such as wind, water or seismic loads, unless otherwise noted.

The customer is responsible for:

- Conformance to all governing codes.
- The integrity of structures to which the products are attached, including their capability of safely accepting the loads imposed, as evaluated by a qualified engineer.
- Using appropriate industry standard hardware as noted above.

#### SAFETY INSTRUCTIONS:

All governing codes and regulations and those required by the job site must be observed. Always use appropriate safety equipment such as eye protection, hard hat, and gloves as appropriate to the application.

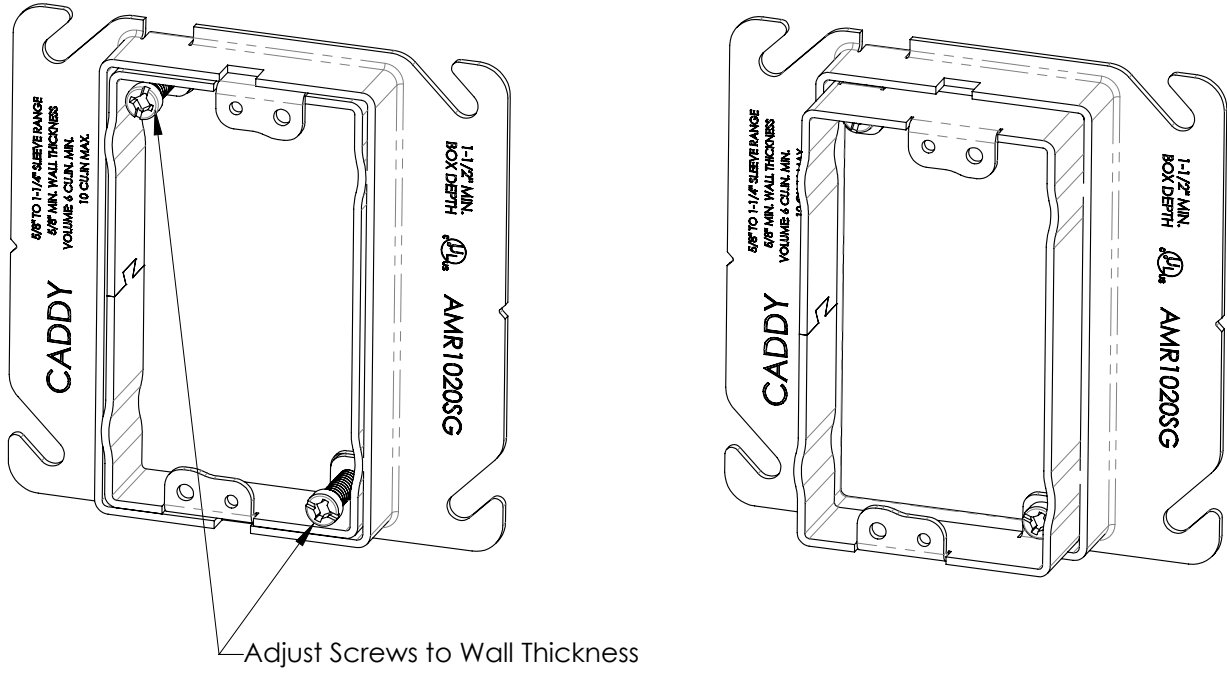
nVent, nVent CADDY, nVent ERICO Cadweld, nVent ERICO Critec, nVent ERICO, nVent ERIFLEX, and nVent LENTON are owned by nVent or its global affiliates. All other trademarks are the property of their respective owners. nVent reserves the right to change specifications without prior notice.

TECHNICAL SUPPORT:  
[www.nVent.com](http://www.nVent.com)

CFS642\_C

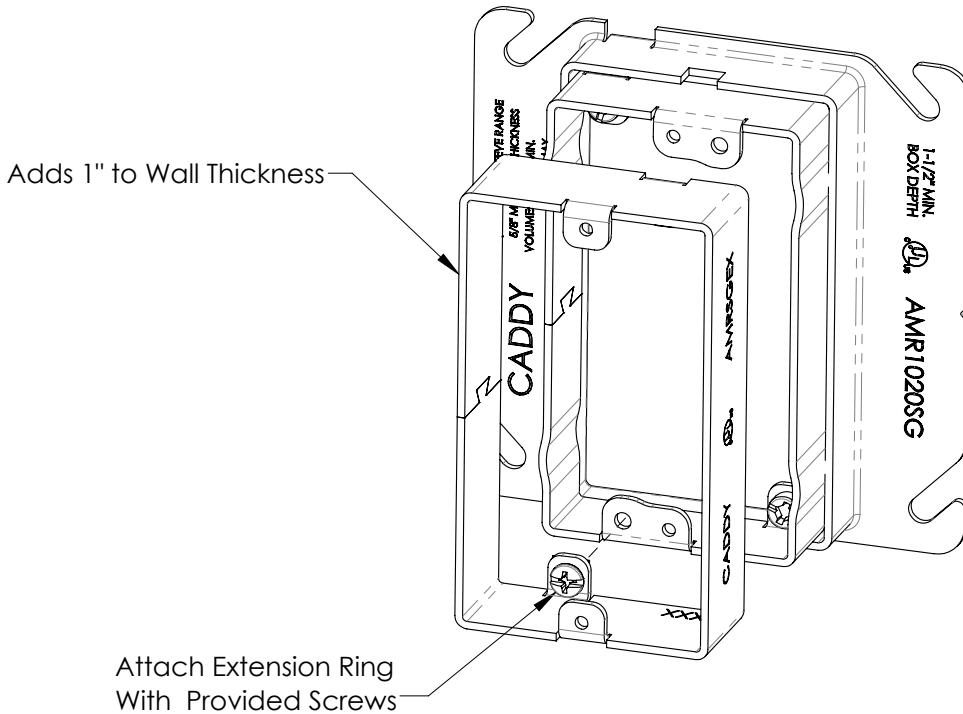
1 OF 2

© 2022-2024 nVent All Rights Reserved



Adjust Screws to Wall Thickness

### Optional Extension Ring



Attach Extension Ring With Provided Screws