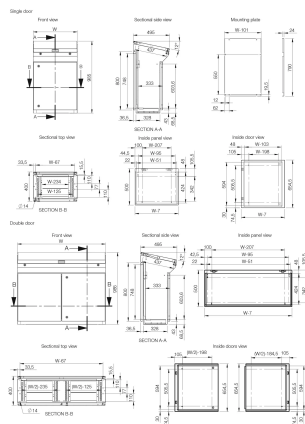


One-Piece Consoles In Mild Steel, MPG



The mild steel compact console, MPG, in a IP 55/56 protection degree is available off the shelf. It has a hinged desk panel, and the ergonomic design allows for easy installation and access to HMI-equipment. It also increases the mounting space available. Stainless steel top panels may be used as an alternative when the console is exposed chemical agents, etc.

INDUSTRY STANDARDS

cULus_UL Listed

CE, UK CA, UL, EAC

FEATURES

Material: Body and door: 1.5 mm mild steel. Rear panel. 1.5 mm mild steel. Bottom plates: 1.2 mm galvanized steel. Mounting plate: 2.5 mm galvanized steel.

Body: Folded and seam welded. Console construction includes a base that provides a distance between the floor and the lower part of the door/s, acting as an integrated plinth.

Doors and panels: Single folded surface mounted with hinges, allowing left and right-hand opening to base door. Angle 12° from horizontal. Concealed hinges on top edge allow 90° opening. Panel held open by self engage/self release mechanical panel stay. Double door on 1200 and 1600 mm wide base units.

Mounting plate: Standard mounting plate in base unit.

Lock: Double-bit 3 mm locks for top panel. For base, two double-bit 3 mm locks.

Cable inlet: Bottom opening for cable access. Bottom plates for cable glanding supplied as standard.

Earthing: M8 threaded studs on body, door, top panel and rear panel.

Finish: RAL 7035 structured powder coating.

Protection: Single door: IP 66, TYPE 4, 12, 13, IK 10. Double door: IP 55, TYPE 12, 13, IK 10.

Delivery: Mounting plate and suitable nuts and washers for earthing. The console is delivered on a wooden pallet.

SPECIFICATIONS

Body Thickness:	1.5mm
Door Thickness:	1.5mm
Color:	Light Gray
Material:	Mild Steel
Finish:	Powder Coated
Color Code:	RAL 7035

Table 1/1

Catalog Number	Height	Width	Depth	Panel Size	Max Mounting Depth	Weight
MPG06R5	985mm	600mm	400mm	790 x 499mm	333mm	54kg
MPG08R5	985mm	800mm	400mm	790 x 699mm	333mm	64.5kg
MPG10R5	985mm	1000mm	400mm	790 x 899mm	333mm	78kg
MPG12R5	985mm	1200mm	400mm	790 x 1099mm	333mm	89kg
MPG16R5	985mm	1600mm	400mm	790 x 1499mm	333mm	115kg

ADDITIONAL PRODUCT DETAILS

Note: Only 1200 mm and 1600 mm wide consoles have double door.

WARNING

nVent products shall be installed and used only as indicated in nVent's product instruction sheets and training materials. Instruction sheets are available at www.nvent.com and from your nVent customer service representative. Improper installation, misuse, misapplication or other failure to completely follow nVent's instructions and warnings may cause product malfunction, property damage, serious bodily injury and death and/or void your warranty.



Our powerful portfolio of brands:

CADDY ERICO HOFFMAN ILSCO SCHROFF TRACHTE