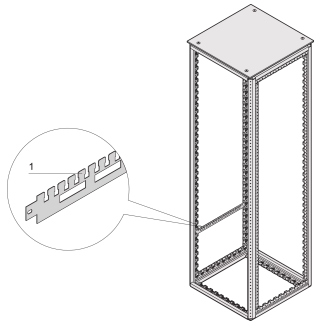


Varistar Cable Support Rail for Cabinet Depth

Data Solutions



Varistar horizontal cable support rail in the cabinet depth. Mounted directly at the frame.

CERTIFICATIONS



FEATURES

For cable shells (bottom row) and for cable ties or Velcro (top row)

For cable ducting in side area of cabinet

SPECIFICATIONS

Material: Steel
Product Type: Support Rail

Table 1/2

Catalog Number	Depth	Package Quantity	Color	Color Code	Finish	Length
23130-326	600mm	2	Black Grey	RAL 7021	Powder Coated	466.4mm
23130-328	800mm	2	Black Grey	RAL 7021	Powder Coated	666.4mm

CatalogNumber	Depth	Package Quantity	Color	Color Code	Finish	Length
23130-329	900mm	2	Black Grey	RAL 7021	Powder Coated	766.4mm
23130-330	1000mm	2	Black Grey	RAL 7021	Powder Coated	866.4mm
23130-331	1100mm	2	Black Grey	RAL 7021	Powder Coated	966.4mm
23130-332	1200mm	2	Black Grey	RAL 7021	Powder Coated	1066.4mm

Table 2/2

Catalog Number	Type	Works With
23130-326	Cable Support, Side Mount	
23130-328	Cable Support, Side Mount	
23130-329	Cable Support, Side Mount	
23130-330	Cable Support, Side Mount	Varistar CP
23130-331	Cable Support, Side Mount	Varistar CP
23130-332	Cable Support, Side Mount	Varistar CP

WARNING

nVent products shall be installed and used only as indicated in nVent's product instruction sheets and training materials. Instruction sheets are available at www.nvent.com and from your nVent customer service representative. Improper installation, misuse, misapplication or other failure to completely follow nVent's instructions and warnings may cause product malfunction, property damage, serious bodily injury and death and/or void your warranty.



Our powerful portfolio of brands:

CADDY ERICO HOFFMAN ILSCO SCHROFF TRACHTE