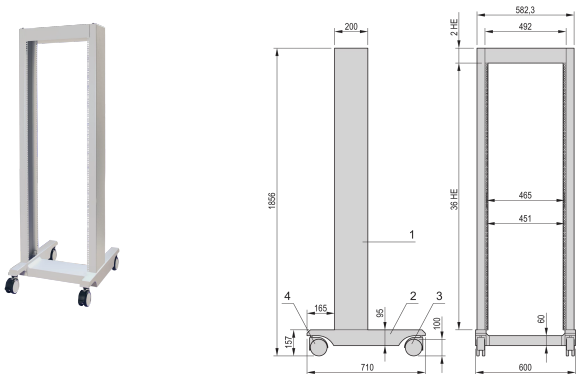


19" Labrack Mobile

CATALOG NUMBER

10117-498



Open frame rack with 200 kg load capacity and recommended chassis depth of upto 400 mm, ideally for general electronics, test & measurement, audio/video and broadcasting applications.

CERTIFICATIONS



FEATURES

Stationary load-carrying capacity 200 kg at a defined center of gravity in the center of the lab rack

Recommended max. chassis depth 400 mm

PRODUCT ATTRIBUTES

Product Type: Rack

Product Family: Labrack

Frame Material: Steel

Rack Height: 36U

Height: 1856mm

Width: 600mm

Depth: 710mm

Static Load: 200kg

Complies With: IEC 60297-3-100

Finish: Powder Coated

Material: Aluminum; Steel

Net Weight: 48kg

Package Quantity: 1

WARNING

nVent products shall be installed and used only as indicated in nVent's product instruction sheets and training materials. Instruction sheets are available at www.nvent.com and from your nVent customer service representative. Improper installation, misuse, misapplication or other failure to completely follow nVent's instructions and warnings may cause product malfunction, property damage, serious bodily injury and death and/or void your warranty.

North America

All locations
+1.763.422.2661
Chat with us:
nvent.com/schroff

Europe

Straubenhardt, Germany
+49.7082.794.0
Betschdorf, France
+33.3.88.90.64.90
Warsaw, Poland
+48.22.209.98.35
Assago, Italy
+39.02.932.7141
Chat with us:
nvent.com/schroff

Asia

Shanghai, China
+86.21.2412.6943
Qingdao, China
+86.532.8771.6101
Singapore
+65.6768.5800
Shin-Yokohama, Japan
+81.45.476.0271
Chat with us:
nvent.com/schroff

Middle East & India

Dubai, United Arab
Emirates
+971.4.378.1700
Bangalore, India
+91.80.6715.2001
Istanbul, Turkey
+90.216.250.7374
Chat with us:
nvent.com/schroff



Our powerful portfolio of brands:

CADDY ERICO HOFFMAN ILSCO SCHROFF TRACHTE