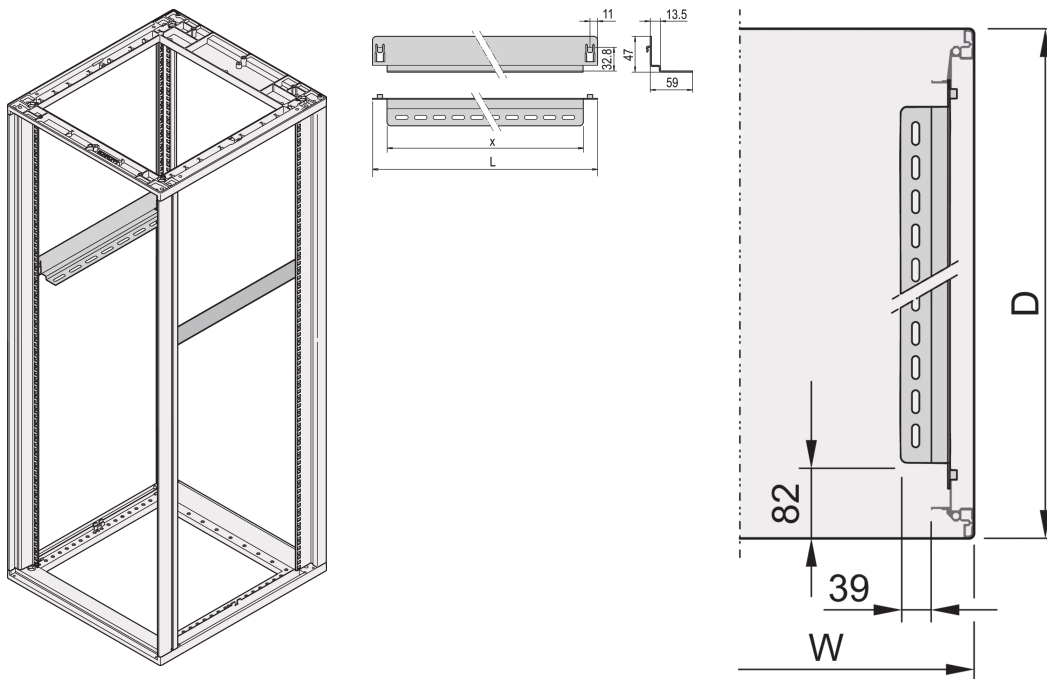


Novastar Slide Rail, 25 kg, 500D, 1 pair

CATALOG NUMBER

27230-102



Novastar Slide Rail with 25 kg load capacity for mounting on the cabinet uprights or 19" panel/slide mounts. The slide rail supports shelf of heavy 19" Chassis.

CERTIFICATIONS



FEATURES

St, 1.5 mm, finish AlZn

Support for heavy 19" chassis

To slot into the 19" slide mounts

Static load-carrying capacity 25 kg per pair

Adjustable in 1 U increments

For mounting on the vertical cabinet uprights or 19" panel/slide mounts

PRODUCT ATTRIBUTES

Depth: 500mm

Finish: Aluminum-Zinc Plated

Length: 370mm

Material: Steel

Package Quantity: 2

Product Family: Novastar

Product Type: Slide Rail

Static Load: 25kg

Net Weight: 1.122kg

WARNING

nVent products shall be installed and used only as indicated in nVent's product instruction sheets and training materials. Instruction sheets are available at www.nvent.com and from your nVent customer service representative. Improper installation, misuse, misapplication or other failure to completely follow nVent's instructions and warnings may cause product malfunction, property damage, serious bodily injury and death and/or void your warranty.

North America

All locations
+1.763.422.2661
Chat with us:
nvent.com/schroff

Europe

Straubenhardt, Germany
+49.7082.794.0
Betschdorf, France
+33.3.88.90.64.90
Warsaw, Poland
+48.22.209.98.35
Assago, Italy
+39.02.932.7141
Chat with us:
nvent.com/schroff

Asia

Shanghai, China
+86.21.2412.6943
Qingdao, China
+86.532.8771.6101
Singapore
+65.6768.5800
Shin-Yokohama, Japan
+81.45.476.0271
Chat with us:
nvent.com/schroff

Middle East & India

Dubai, United Arab
Emirates
+971.4.378.1700
Bangalore, India
+91.80.6715.2001
Istanbul, Turkey
+90.216.250.7374
Chat with us:
nvent.com/schroff



Our powerful portfolio of brands:

CADDY ERICO HOFFMAN ILSCO SCHROFF TRACHTE