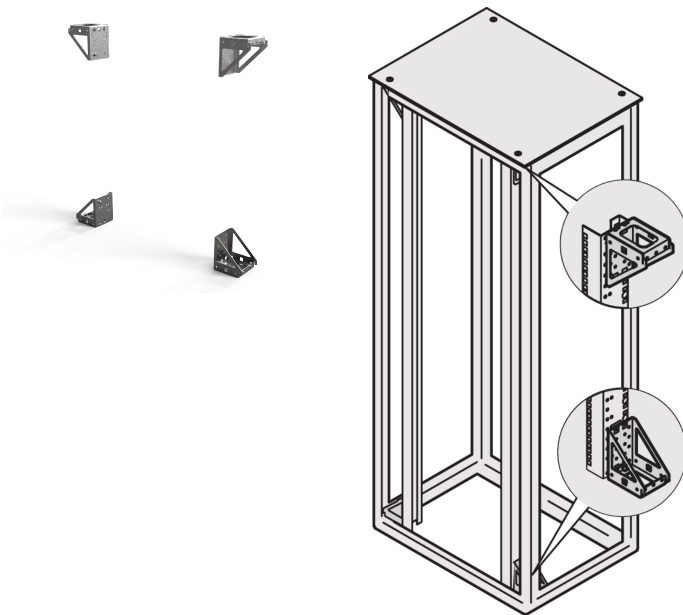


Varistar Adapter Bracket for Reduced Width

CATALOG NUMBER

23130-091



Varistar Adapter Bracket for reduced Width for the assembly of 2 panel/slide mounts. It comes in combination with the assembly of depth members, recessed or shortened 19" panel/slide mounts.

CERTIFICATIONS



FEATURES

For the assembly of 2 panel/slide mounts

For 800 mm wide cabinets to implement 19" mounting

In combination with the assembly of depth members, recessed or shortened 19" panel/slide mounts

PRODUCT ATTRIBUTES

Product Type: Bracket

Product Family: Varistar

Type: Adapter Bracket

Works With: Varistar CP

Material: Steel

Finish: Aluminum-Zinc Plated

Package Quantity: 4

Net Weight: 1.721kg

WARNING

nVent products shall be installed and used only as indicated in nVent's product instruction sheets and training materials. Instruction sheets are available at www.nvent.com and from your nVent customer service representative. Improper installation, misuse, misapplication or other failure to completely follow nVent's instructions and warnings may cause product malfunction, property damage, serious bodily injury and death and/or void your warranty.

North America

All locations
+1.763.422.2661
Chat with us:
nvent.com/schroff

Europe

Straubenhardt, Germany
+49.7082.794.0
Betschdorf, France
+33.3.88.90.64.90
Warsaw, Poland
+48.22.209.98.35
Assago, Italy
+39.02.932.7141
Chat with us:
nvent.com/schroff

Asia

Shanghai, China
+86.21.2412.6943
Qingdao, China
+86.532.8771.6101
Singapore
+65.6768.5800
Shin-Yokohama, Japan
+81.45.476.0271
Chat with us:
nvent.com/schroff

Middle East & India

Dubai, United Arab
Emirates
+971.4.378.1700
Bangalore, India
+91.80.6715.2001
Istanbul, Turkey
+90.216.250.7374
Chat with us:
nvent.com/schroff



Our powerful portfolio of brands:

CADDY ERICO HOFFMAN ILSCO SCHROFF TRACHTE