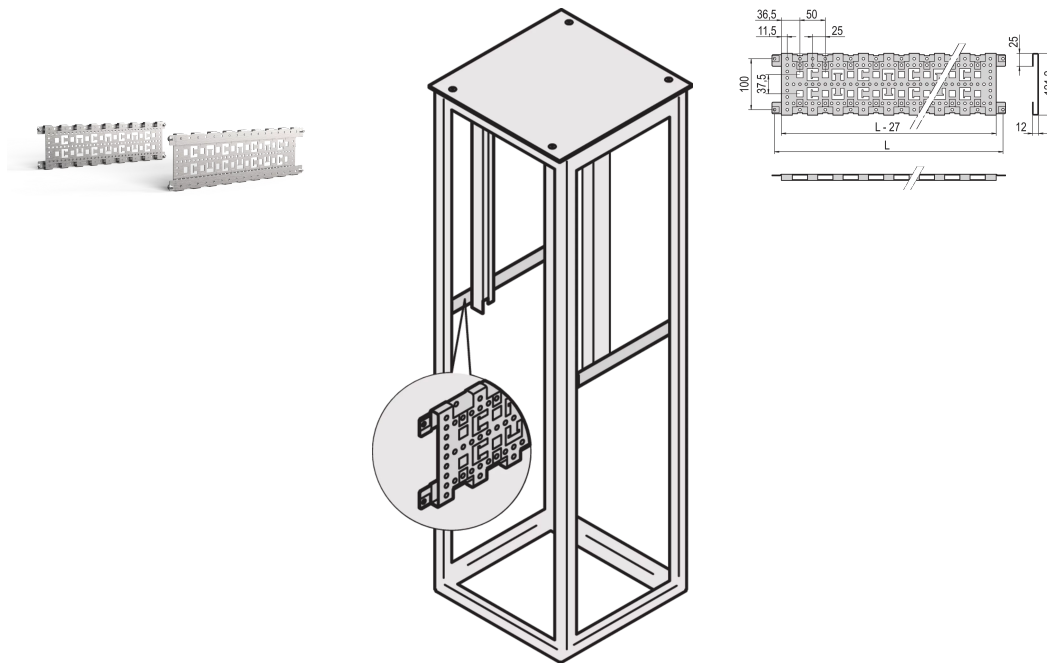


# Varistar Depth Member, 3 rows, 600D, Aluzinc

## Data Solutions

### CATALOG NUMBER

**23130-081**



Horizontal depth member in the cabinet depth. Mounted directly at the Varistar CP frame for cable management, increased frame stiffness and additional fixing points.

### CERTIFICATIONS



### FEATURES

Cable routing facilitated using cable ties and cable eyes, required for recessed shelf

St, 1.5 mm, finish AlZn

## PRODUCT ATTRIBUTES

---

Depth: 600mm

Package Quantity: 2

Finish: Aluminum-Zinc Plated

Height: 135mm

Material: Steel

Product Family: Varistar

Product Type: Bracket

Rack Height: 3U

Works With: Varistar CP

Package Unit: Pair

Net Weight: 1.55kg

## WARNING

---

nVent products shall be installed and used only as indicated in nVent's product instruction sheets and training materials. Instruction sheets are available at [www.nvent.com](http://www.nvent.com) and from your nVent customer service representative. Improper installation, misuse, misapplication or other failure to completely follow nVent's instructions and warnings may cause product malfunction, property damage, serious bodily injury and death and/or void your warranty.



Our powerful portfolio of brands:

**CADDY ERICO HOFFMAN ILSCO SCHROFF TRACHTE**