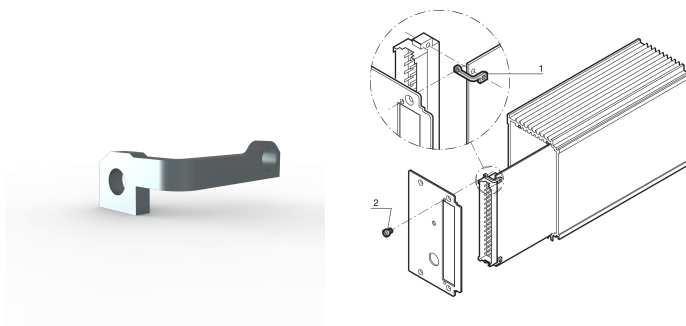


HF Frame Type Plug-In Unit PCB Mounting Bracket, Top

CATALOG NUMBER

30809-701



The brackets enable a user to assemble a PCB to the rear Panel.

CERTIFICATIONS



FEATURES

Bracket to assemble a PCB to the rear panel

PRODUCT ATTRIBUTES

Package Quantity: 1

Depth (D): 13.5mm

Height (H): 5.8mm

Material: Stainless Steel

Product Family: HF Frame Type Plug-In

Product Type: Bracket

Type: PCB Guide

Width (W): 9.8mm

Works With: Cassettes

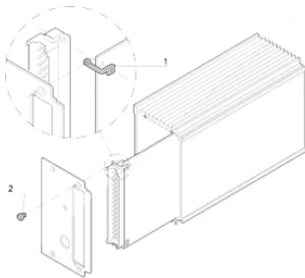
Bracket Type: Top

Thread Type: Metric

ADDITIONAL PRODUCT DETAILS

Please order screws separately.

DIAGRAMS



WARNING

nVent products shall be installed and used only as indicated in nVent's product instruction sheets and training materials. Instruction sheets are available at www.nvent.com and from your nVent customer service representative. Improper installation, misuse, misapplication or other failure to completely follow nVent's instructions and warnings may cause product malfunction, property damage, serious bodily injury and death and/or void your warranty.

North America

All locations
+1.763.422.2661
Chat with us:
nvent.com/schroff

Europe

Straubenhardt, Germany
+49.7082.794.0
Betschdorf, France
+33.3.88.90.64.90
Warsaw, Poland
+48.22.209.98.35
Assago, Italy
+39.02.932.7141
Chat with us:
nvent.com/schroff

Asia

Shanghai, China
+86.21.2412.6943
Qingdao, China
+86.532.8771.6101
Singapore
+65.6768.5800
Shin-Yokohama, Japan
+81.45.476.0271
Chat with us:
nvent.com/schroff

Middle East & India

Dubai, United Arab
Emirates
+971.4.378.1700
Bangalore, India
+91.80.6715.2001
Istanbul, Turkey
+90.216.250.7374
Chat with us:
nvent.com/schroff



Our powerful portfolio of brands:

CADDY ERICO HOFFMAN ILSCO SCHROFF TRACHTE