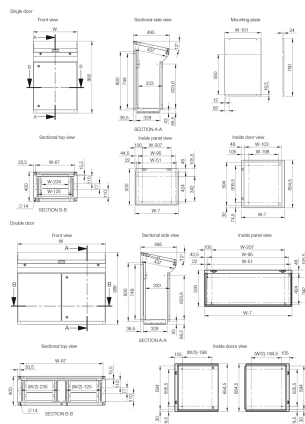


One-Piece Consoles In Stainless Steel, MPGS



The stainless steel compact console, MPGS, in a IP66/55 protection degree is available off the shelf. It has a hinged desk panel, and the ergonomic design allows for easy installation and access to HMI-equipment- It also increases the mounting space available. This console can be installed in virtually any environment, grade dependent.

INDUSTRY STANDARDS

cULus_UL Listed

CE, UK CA, UL, EAC

FEATURES

Material: AISI 304 pre-grained stainless steel / AISI 316L (on request). Body and door: 2 mm. Rear panel: 1.5 mm. Bottom plates: 1.5 mm. Mounting plate: 2.5 mm galvanized steel.

Body: Folded and seam welded. Console construction includes a base that provides a distance between the floor and the lower part of the door/s, acting as an integrated plinth.

Doors and panels: Single folded surface mounted with hinges, allowing left and right-hand opening to base door. Angle 12° from horizontal. Concealed hinges, on top edge, allow 90° opening. Panel held open by self engage/self release mechanical panel stay. Double door on 1200 wide base units.

Mounting plate: Standard mounting plate in base unit.

Lock: Double-bit 3 mm locks for top panel. For base, two double-bit 3 mm locks.

Cable inlet: Bottom opening for cable access. Bottom plate for cable glanding supplied as standard.

Earthing: M8 threaded studs on body, door, top panel and rear panel.

Finish: 400 pre-grained stainless steel.

Protection: Single door: IP 66, TYPE 4X, 12, 13, IK 10. Double door: IP 55, TYPE 12, 13, IK 10.

Delivery: Mounting plate and suitable nuts and washers for earthing. The console is delivered on a wooden pallet.

SPECIFICATIONS

Body Thickness: 2mm
Door Thickness: 2mm
Finish: Brushed

Table 1/1

Catalog Number	Height	Width	Depth	Panel Size	Max Mounting Depth	Weight
MPGS06	985mm	600mm	400mm	790 x 499mm	357.5mm	60kg
MPGS06-316	985mm	600mm	400mm	790 x 499mm	357.5mm	60kg
MPGS08	985mm	800mm	400mm	790 x 699mm	357.5mm	73.72kg
MPGS08-316	985mm	800mm	400mm	790 x 699mm	357.5mm	73.72kg
MPGS10	985mm	1000mm	400mm	790 x 899mm	357.5mm	80kg
MPGS10-316	985mm	1000mm	400mm	790 x 899mm	357.5mm	80kg
MPGS12	985mm	1200mm	400mm	790 x 1099mm	357.5mm	90.67kg
MPGS12-316	985mm	1200mm	400mm	790 x 1099mm	357.5mm	90.67kg

ADDITIONAL PRODUCT DETAILS

Note: Only 1200 mm wide consoles have double door. * On request.

WARNING

nVent products shall be installed and used only as indicated in nVent's product instruction sheets and training materials. Instruction sheets are available at www.nvent.com and from your nVent customer service representative. Improper installation, misuse, misapplication or other failure to completely follow nVent's instructions and warnings may cause product malfunction, property damage, serious bodily injury and death and/or void your warranty.



Our powerful portfolio of brands:

CADDY ERICO HOFFMAN ILSCO SCHROFF TRACHTE