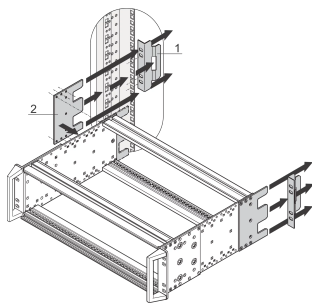


# EuropacPRO Adapter for Rear Fixing, DL3 Standard

## Power Utilities



Adapter for rear fixing of a subrack in accordance with DL3 standard into a cabinet. It guarantees shock and vibration resistance up to 25 g.

### CERTIFICATIONS



### FEATURES

Guarantees vibration resistance up to 25g as per IEC 61587 DL3

Adapters for other cabinet models available on request

Mounts onto rear of ruggedized subrack and to Varistar cabinet uprights

### SPECIFICATIONS

Table 1/1

Catalog Number	Rack Height	Package Quantity	Product Family	Product Type	Works With
24568-198	3 U	1	EuropacPRO	Adapter	Subracks
24568-498	6 U	1	EuropacPRO	Adapter	Subracks

## ADDITIONAL PRODUCT DETAILS

---

Adapter cannot be used together with corner profile.

## WARNING

---

nVent products shall be installed and used only as indicated in nVent's product instruction sheets and training materials. Instruction sheets are available at [www.nvent.com](http://www.nvent.com) and from your nVent customer service representative. Improper installation, misuse, misapplication or other failure to completely follow nVent's instructions and warnings may cause product malfunction, property damage, serious bodily injury and death and/or void your warranty.



Our powerful portfolio of brands:

**CADDY   ERICO   HOFFMAN   ILSCO   SCHROFF   TRACHTE**