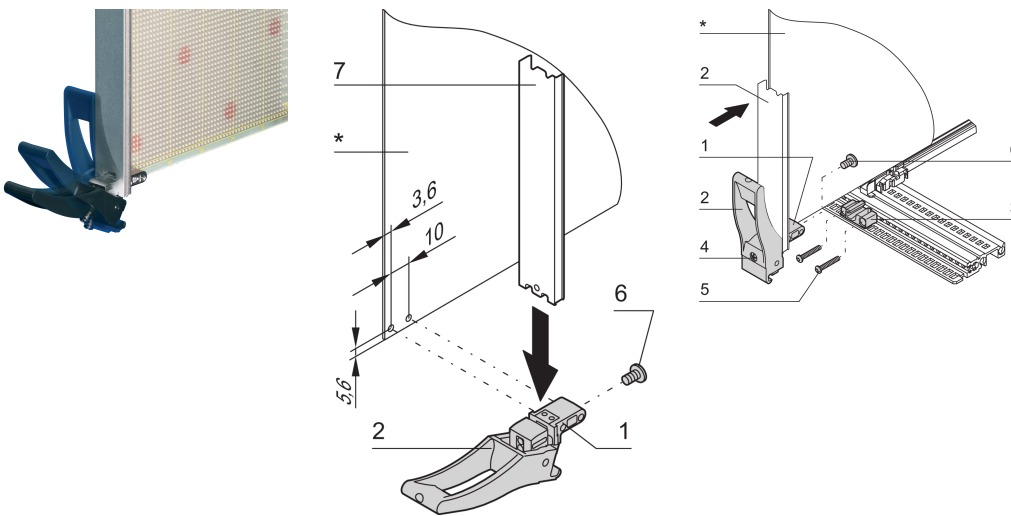


Insertor/Extractor Handle Type XL; 10 pieces

CATALOG NUMBER

20817-874



Suitable for insertion and extraction forces up to 1500 N (per pair). Robust board fixing via double bolts. The insertion function will be supported by a keying part which will be assembled onto the horizontal rail.

CERTIFICATIONS



FEATURES

Suitable for insertion and extraction forces up to 1500 N (per pair)

Handle in PA, fiberglass reinforced, UL 94V 0

Robust board fixing with double bolt fixing

Microswitches can be fitted

Symmetrical, identical handle at top/bottom

PRODUCT ATTRIBUTES

Product Type: Handle

Type: Inserter/Extractor

Works With: Front Panels

Handle Type: XL

Width: 20.1mm

Material: Zinc Alloy; Polyamide

Color: Jet Black

Flammability Rating: UL® 94V-0

Package Quantity: 10

Color Code: RAL 9005

Depth: 42.39mm

Height: 73.57mm

ADDITIONAL PRODUCT DETAILS

Please order front panels separately and Micro switch.

WARNING

nVent products shall be installed and used only as indicated in nVent's product instruction sheets and training materials. Instruction sheets are available at www.nvent.com and from your nVent customer service representative. Improper installation, misuse, misapplication or other failure to completely follow nVent's instructions and warnings may cause product malfunction, property damage, serious bodily injury and death and/or void your warranty.

North America

All locations
+1.763.422.2661
Chat with us:
nvent.com/schroff

Europe

Straubenhardt, Germany
+49.7082.794.0
Betschdorf, France
+33.3.88.90.64.90
Warsaw, Poland
+48.22.209.98.35
Assago, Italy
+39.02.932.7141
Chat with us:
nvent.com/schroff

Asia

Shanghai, China
+86.21.2412.6943
Qingdao, China
+86.532.8771.6101
Singapore
+65.6768.5800
Shin-Yokohama, Japan
+81.45.476.0271
Chat with us:
nvent.com/schroff

Middle East & India

Dubai, United Arab
Emirates
+971.4.378.1700
Bangalore, India
+91.80.6715.2001
Istanbul, Turkey
+90.216.250.7374
Chat with us:
nvent.com/schroff



Our powerful portfolio of brands:

CADDY ERICO HOFFMAN ILSCO SCHROFF TRACHTE