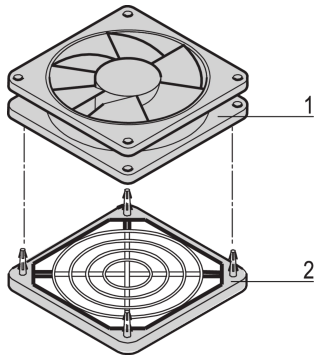


Novastar Top Cover Fan



Top covers with fans are compact active cooling units which do not consume rack space. The Novastar fan for top cover comes with protective grills.

CERTIFICATIONS



FEATURES

Axial fan with protective grills

SPECIFICATIONS

Color: Black

Product Type: Fan

Table 1/2

Catalog Number	Depth	Package Quantity	Voltage AC	Finish	Height	Material
27230-077	119mm	1	230V	Powder Coated	25mm	Steel
27230-078	119mm	1	230V	Powder Coated	38mm	Steel

Table 2/2

Catalog Number	Width	Works With	Quick Ship
----------------	-------	------------	------------

27230-077	119mm	Cabinet	No
27230-078	119mm		No

WARNING

nVent products shall be installed and used only as indicated in nVent's product instruction sheets and training materials. Instruction sheets are available at www.nvent.com and from your nVent customer service representative. Improper installation, misuse, misapplication or other failure to completely follow nVent's instructions and warnings may cause product malfunction, property damage, serious bodily injury and death and/or void your warranty.

North America

All locations
+1.763.422.2661
Chat with us:
nvent.com/schroff

Europe

Straubenhardt, Germany
+49.7082.794.0
Betschdorf, France
+33.3.88.90.64.90
Warsaw, Poland
+48.22.209.98.35
Assago, Italy
+39.02.932.7141
Chat with us:
nvent.com/schroff

Asia

Shanghai, China
+86.21.2412.6943
Qingdao, China
+86.532.8771.6101
Singapore
+65.6768.5800
Shin-Yokohama, Japan
+81.45.476.0271
Chat with us:
nvent.com/schroff

Middle East & India

Dubai, United Arab Emirates
+971.4.378.1700
Bangalore, India
+91.80.6715.2001
Istanbul, Turkey
+90.216.250.7374
Chat with us:
nvent.com/schroff



Our powerful portfolio of brands:

CADDY ERICO HOFFMAN ILSCO SCHROFF TRACHTE