

Drop Wire Clip



FEATURES

Can be used to hang services from catenary cable or act as an intermediate support to reduce sag and tension

Easily snaps onto catenary cable and locks in place when closed

Tool-free clip can be hand-closed on the catenary wire

SPECIFICATIONS

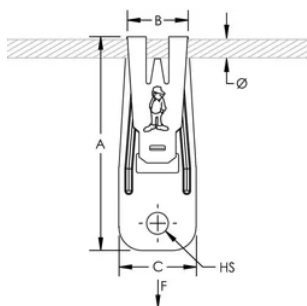
Table 1/2

| Catalog Number | Article Number | Material | Finish | Hole Size (HS) | A | B |
|----------------|----------------|--------------|--------------------|----------------|-------|-------|
| SLDW6 | 196822 | Spring Steel | nVent CADDY Armour | 7 mm | 70 mm | 20 mm |

Table 2/2

| Catalog Number | Article Number | C | Diameter (Ø) | Static Load |
|----------------|----------------|-------|--------------|-------------|
| SLDW6 | 196822 | 25 mm | 6 mm | 700N |

DIAGRAMS



WARNING

nVent products shall be installed and used only as indicated in nVent's product instruction sheets and training materials. Instruction sheets are available at www.nvent.com and from your nVent customer service representative. Improper installation, misuse, misapplication or other failure to completely follow nVent's instructions and warnings may cause product malfunction, property damage, serious bodily injury and death and/or void your warranty.

North America

+1.800.753.9221

Option 1 – Customer Care

Option 2 – Technical

Support

Europe

Netherlands:

+31 800-0200135

France:

+33 800 901 793

Europe

Germany:

800 1890272

Other Countries:

+31 13 5835404

APAC

Shanghai:

+ 86 21 2412 1618/19

Sydney:

+61 2 9751 8500



Our powerful portfolio of brands:

CADDY

ERICO

HOFFMAN

ILSCO

SCHROFF

TRACHTE

