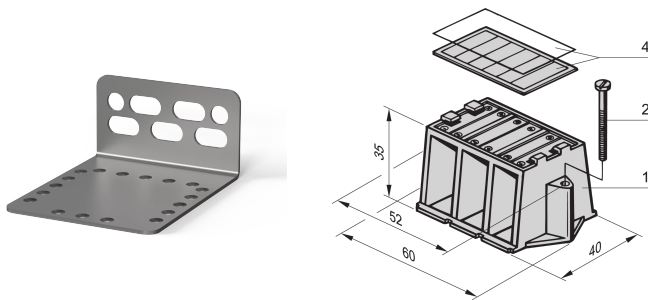


Mounting Bracket, for Cabinet Assembly for Busbar 1 to 4 Poles

Data Solutions

CATALOG NUMBER

20100-029



Mounting Brackets for Busbars or Busbar Modules are load circuit isolated mounting units for grounding rails. There may be adapters with assigned current ratings which supply the load current to loadfeeders through wire connections.

CERTIFICATIONS



FEATURES

Different assembly versions for 19" cabinet

For assembly of the Busbar with mounting bracket or with insulating block

90° angled

PRODUCT ATTRIBUTES

Product Type: Bracket

Type: Mounting Bracket

Works With: Busbars

Material: Steel

Finish: Aluminum-Zinc Plated

Package Quantity: 4

Net Weight: 0.27kg

WARNING

nVent products shall be installed and used only as indicated in nVent's product instruction sheets and training materials. Instruction sheets are available at www.nvent.com and from your nVent customer service representative. Improper installation, misuse, misapplication or other failure to completely follow nVent's instructions and warnings may cause product malfunction, property damage, serious bodily injury and death and/or void your warranty.



Our powerful portfolio of brands:

CADDY ERICO HOFFMAN ILSCO SCHROFF TRACHTE