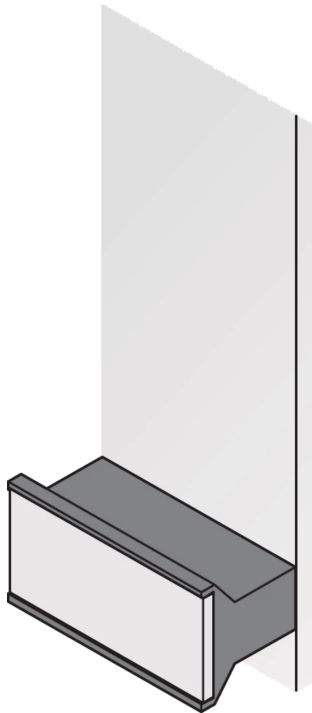


Static Handle Plastic in Trapezoid Form, Black



The static plastic handle, trapezoid form in black color can be mounted to a front panel for extraction of the PCB.

CERTIFICATIONS



FEATURES

With separate identification plate, Al 1.5 mm

Handle, PC, UL 94 V-0

SPECIFICATIONS

Works With:	Front Panels
Product Type:	Handle
Material:	Polycarbonate
Type:	Static

Table 1/2

Catalog Number	Rack Width	Package Quantity	Handle Type	Flammability Rating	Color	Complies With
20808-082	7HP	1	Trapezoid, Static	UL® 94V-0	Black	EN 45545-2, R22-R24, HL3, IEC 60297-3-101
20808-088	21HP	1	Trapezoid, Static	UL® 94V-0	Black	EN 45545-2, R22-R24, HL3, IEC 60297-3-101
20808-089	28HP	1	Trapezoid, Static	UL® 94V-0	Black	EN 45545-2, R22-R24, HL3, IEC 60297-3-101
20808-090	40HP	1	Trapezoid, Static	UL® 94V-0	Black	EN 45545-2, R22-R24, HL3, IEC 60297-3-101
20808-091	42HP	1	Trapezoid, Static	UL® 94V-0	Black	EN 45545-2, R22-R24, HL3, IEC 60297-3-101
20808-080	5HP	1	Trapezoid, Static	UL® 94V-0	Black	EN 45545-2, R22-R24, HL3, IEC 60297-3-101
20808-081	6HP	1	Trapezoid, Static	UL® 94V-0	Black	EN 45545-2, R22-R24, HL3, IEC 60297-3-101
20808-083	8HP	1	Trapezoid, Static	UL® 94V-0	Black	EN 45545-2, R22-R24, HL3, IEC 60297-3-101
20808-084	9HP	1	Trapezoid, Static	UL® 94V-0	Black	EN 45545-2, R22-R24, HL3, IEC 60297-3-101
20808-085	10HP	1	Trapezoid, Static	UL® 94V-0	Black	EN 45545-2, R22-R24, HL3, IEC 60297-3-101
20808-086	12HP	1	Trapezoid, Static	UL® 94V-0	Black	EN 45545-2, R22-R24, HL3, IEC 60297-3-101

CatalogNumber	Rack Width	Package Quantity	Handle Type	Flammability Rating	Color	Complies With
20808-087	14HP	1	Trapezoid, Static	UL® 94V-0	Black	EN 45545-2, R22-R24, HL3, IEC 60297-3-101
20809-396	3HP	1	Trapezoid, Static	UL® 94V-0	Black	EN 45545-2, R22-R24, HL3, IEC 60297-3-101
20809-397	4HP	1	Trapezoid, Static	UL® 94V-0	Black	EN 45545-2, R22-R24, HL3, IEC 60297-3-101

Table 2/2

Catalog Number	Width (W)	Quick Ship
20808-082	34.1mm	No
20808-088	105.2mm	No
20808-089	140.8mm	No
20808-090	201.8mm	No
20808-091	212mm	No
20808-080	24mm	No
20808-081	29mm	No
20808-083	39.2mm	No
20808-084	44.3mm	No
20808-085	49.4mm	No
20808-086	59.6mm	No
20808-087	69.7mm	No

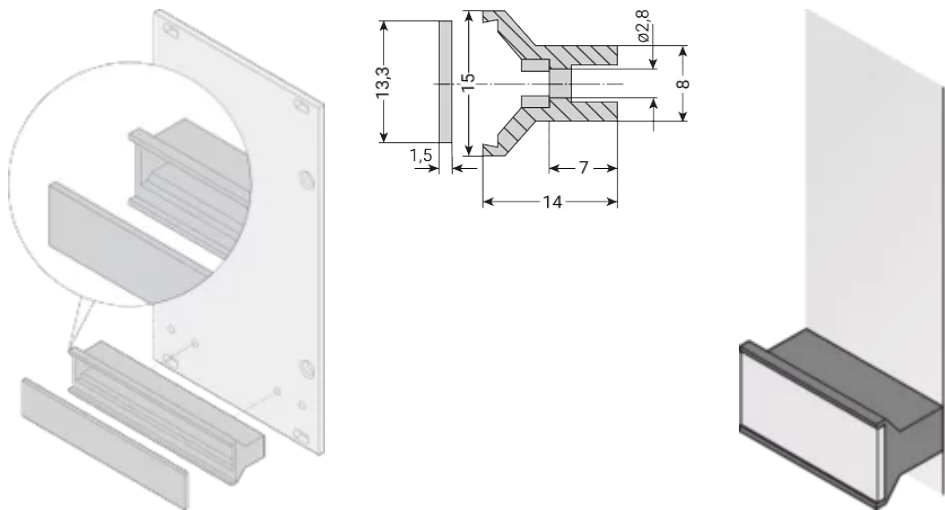
Catalog Number	Width (W)	Quick Ship
20809-396	13.8mm	No
20809-397	18.9mm	No

ADDITIONAL PRODUCT DETAILS

Please take into consideration that deliveries may be carried out in the stated SPQs (SPQ, e.g. 5 pieces, 10 pieces, 50 pieces, etc.). Differing order quantities (e.g. 2 pieces) may be changed to the next possible delivery quantity = Standard Pack Quantity.

Cannot be used together with fixing clip (21101-239).

DIAGRAMS



WARNING

nVent products shall be installed and used only as indicated in nVent's product instruction sheets and training materials. Instruction sheets are available at www.nvent.com and from your nVent customer service representative. Improper installation, misuse, misapplication or other failure to completely follow nVent's instructions and warnings may cause product malfunction, property damage, serious bodily injury and death and/or void your warranty.

North America

All locations

+1.763.422.2661

Chat with us:

nvent.com/schroff

Europe

Straubenhardt, Germany

+49.7082.794.0

Betschdorf, France

+33.3.88.90.64.90

Warsaw, Poland

+48.22.209.98.35

Assago, Italy

+39.02.932.7141

Chat with us:

nvent.com/schroff

Asia

Shanghai, China

+86.21.2412.6943

Qingdao, China

+86.532.8771.6101

Singapore

+65.6768.5800

Shin-Yokohama, Japan

+81.45.476.0271

Chat with us:

nvent.com/schroff

Middle East & India

Dubai, United Arab

Emirates

+971.4.378.1700

Bangalore, India

+91.80.6715.2001

Istanbul, Turkey

+90.216.250.7374

Chat with us:

nvent.com/schroff



Our powerful portfolio of brands:

CADDY

ERICO

HOFFMAN

ILSCO

SCHROFF

TRACHTE