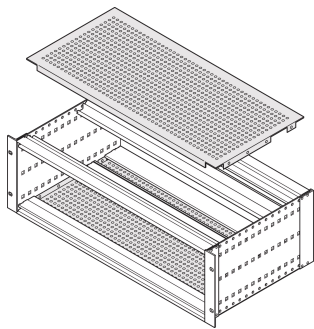


EuropacPRO Cover Plate for Bolting to Side Panel, SNCF

Power Utilities



A cover plate is used for electromagnetic shielding or as mechanical protection. The cover can be screwed onto the side panel. Can be used for railway subracks in accordance with SNCF.

CERTIFICATIONS



FEATURES

For variable positioning of horizontal rails e.g. for PCBs with standard formats

Perforation degree 58 %

Suitable for use with all horizontal rails

SPECIFICATIONS

Table 1/2

Catalog Number	Rack Width	Depth	Package Quantity	Product Family	Product Type	Type
21500-124	36 HP	175 mm	1	EuropacPRO	Cover Plate	Perforated
21500-048	84 HP	175 mm	1	EuropacPRO	Cover Plate	Perforated

CatalogNumber	Rack Width	Depth	Package Quantity	Product Family	Product Type	Type
21500-122	36 HP	235 mm	1	EuropacPRO	Cover Plate	Perforated
21500-037	84 HP	235 mm	1	EuropacPRO	Cover Plate	Perforated
21500-038	84 HP	55 mm	1	EuropacPRO	Cover Plate	Perforated
21500-123	36 HP	55 mm	1	EuropacPRO	Cover Plate	Perforated

Table 2/2

Catalog Number	Works With	Package Unit	Torque
21500-124	Subracks	Pair	2.1 N·m
21500-048	Subracks	Pair	2.1 N·m
21500-122	Subracks	Pair	2.1 N·m
21500-037	Subracks	Pair	2.1 N·m
21500-038	Subracks	Pair	2.1 N·m
21500-123	Subracks	Pair	2.1 N·m

WARNING

nVent products shall be installed and used only as indicated in nVent's product instruction sheets and training materials. Instruction sheets are available at www.nvent.com and from your nVent customer service representative. Improper installation, misuse, misapplication or other failure to completely follow nVent's instructions and warnings may cause product malfunction, property damage, serious bodily injury and death and/or void your warranty.



Our powerful portfolio of brands:

CADDY ERICO HOFFMAN ILSCO SCHROFF TRACHTE