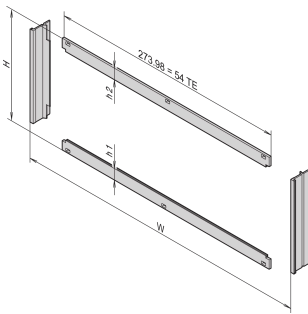


Front Frame for EMC Shielding for Horizontal Boards Mounting



Front frame installation provides the contact between subracks and assemblies. It must be used if a customer has selected a horizontal board mounting Kit.

CERTIFICATIONS



FEATURES

Front frame installation provides the contact between subracks and assemblies

SPECIFICATIONS

- Material:** Aluminum
- Product Family:** EuropacPRO
- Product Type:** Side Panel
- Works With:** Subracks

Table 1/1

Catalog Number	Rack Height	Rack Width	Package Quantity	Finish	Quick Ship
24564-109	3U	20HP	1	Anodized, Passivated	No
24564-209	4U	28HP	1	Anodized, Passivated	No

ADDITIONAL PRODUCT DETAILS

H=128.40 mm, h1=h2= 13.23 mm.

EMC contact strip, stainless steel, see Sub-assemblies/Front panels.

Please order accessories separately.

WARNING

nVent products shall be installed and used only as indicated in nVent's product instruction sheets and training materials. Instruction sheets are available at www.nvent.com and from your nVent customer service representative. Improper installation, misuse, misapplication or other failure to completely follow nVent's instructions and warnings may cause product malfunction, property damage, serious bodily injury and death and/or void your warranty.

North America

All locations
+1.763.422.2661
Chat with us:
nvent.com/schroff

Europe

Straubenhardt, Germany
+49.7082.794.0
Betschdorf, France
+33.3.88.90.64.90
Warsaw, Poland
+48.22.209.98.35
Assago, Italy
+39.02.932.7141
Chat with us:
nvent.com/schroff

Asia

Shanghai, China
+86.21.2412.6943
Qingdao, China
+86.532.8771.6101
Singapore
+65.6768.5800
Shin-Yokohama, Japan
+81.45.476.0271
Chat with us:
nvent.com/schroff

Middle East & India

Dubai, United Arab
Emirates
+971.4.378.1700
Bangalore, India
+91.80.6715.2001
Istanbul, Turkey
+90.216.250.7374
Chat with us:
nvent.com/schroff



Our powerful portfolio of brands:

CADDY ERICO HOFFMAN ILSCO SCHROFF TRACHTE