

# PVT1 Photovoltaic Surge Protection Class I+II



## CERTIFICATIONS



## FEATURES

Uniquely designed for protection of centralized solar inverters on the DC input side and string boxes

Thermal protection included to ensure safe failure modes

Compact, yet high surge rated pluggable design, using minimum DIN rail width

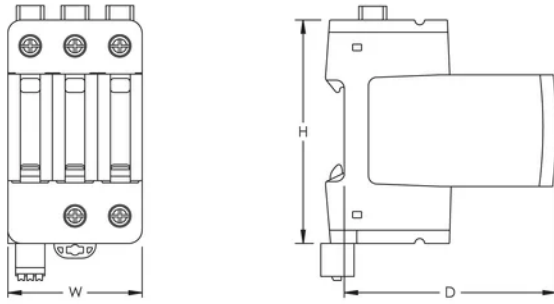
## SPECIFICATIONS

Catalog Number	PVT11000R	PVT11500R
Max Continuous Operating Voltage (Ucpv)	1100	1500
Nominal Discharge Current (In), IEC	20kA 8/20 $\mu$ s	20kA 8/20 $\mu$ s
Impulse Current (Iimp)	6.25kA 10/350 $\mu$ s	5kA 10/350 $\mu$ s
Total Discharge Current (Itotal)	12.5 50	10 40
Voltage Protection Level (Up)	4000V	5000V
Response Time	25 ns Max	25 ns Max
Short Circuit Current Rating (Iscrr)	11kA	11kA

Catalog Number	PVT11000R	PVT11500R
Max Continuous Operating Voltage (Vpdc)	1,100 VDC	1,500 VDC
Voltage Protection Rating (VPR)	2500V	4000V
Nominal Discharge Current (In), UL	20kA 8/20 $\mu$ s	20kA 8/20 $\mu$ s
Short Circuit Current Rating (SCCR)	50kA	65kA
Protection Modes	-ve to PE -ve to +ve +ve to PE	-ve to PE -ve to +ve +ve to PE
Altitude	2000 m Max	2000 m Max
Humidity	5 - 95	5 - 95
Temperature	-40 to 85 °C	-40 to 85 °C
Connection, Flexible	25 mm <sup>2</sup>	25 mm <sup>2</sup>
Connection, Solid	35 mm <sup>2</sup>	35 mm <sup>2</sup>
Connection, Stranded	35 mm <sup>2</sup>	35 mm <sup>2</sup>
Enclosure Material	UL® 94V-0 Thermoplastic	UL® 94V-0 Thermoplastic
Enclosure Rating	IP 20	IP 20
Mounting	35 mm top hat DIN rail	35 mm top hat DIN rail
Remote Contact Switching Capacity	1 A @ 125 VAC 1 A @ 250 VAC 0.5 A @ 12 VDC 0.5 A @ 24 VDC 0.5 A @ 48 VDC	1 A @ 125 VAC 1 A @ 250 VAC 0.5 A @ 12 VDC 0.5 A @ 24 VDC 0.5 A @ 48 VDC
Remote Contacts	Yes	Yes
Status Indication	Mechanical flag	Mechanical flag
Depth (D)	85mm	85mm
Height (H)	90 mm	90 mm
Width (W)	54 mm	54 mm
Unit Weight	0.46 kg	0.5 kg
Replacement Module	PVT1500M PVT1500SM	PVT1750M PVT1750SM
Certification Details	UL® 1449 Edition 4 Type 1CA	UL® 1449 Edition 4 Type 1CA
Complies With	EN IEC 61643-31, Type 1, Type 2	EN IEC 61643-31, Type 1, Type 2

## DIAGRAMS

---



## WARNING

---

nVent products shall be installed and used only as indicated in nVent's product instruction sheets and training materials. Instruction sheets are available at [www.nvent.com](http://www.nvent.com) and from your nVent customer service representative. Improper installation, misuse, misapplication or other failure to completely follow nVent's instructions and warnings may cause product malfunction, property damage, serious bodily injury and death and/or void your warranty.

### North America

+1.800.753.9221  
Option 1 – Customer Care  
Option 2 – Technical  
Support

### Europe

Netherlands:  
+31 800-0200135  
France:  
+33 800 901 793

### Europe

Germany:  
800 1890272  
Other Countries:  
+31 13 5835404

### APAC

Shanghai:  
+ 86 21 2412 1618/19  
Sydney:  
+61 2 9751 8500



Our powerful portfolio of brands:

**CADDY ERICO HOFFMAN ILSCO SCHROFF TRACHTE**