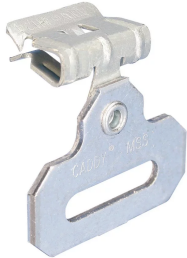


# H-MSS Inline Strap Hanger with Flange Clip



## CERTIFICATIONS



## FEATURES

Supports pipe or duct from flange with banding or strapping

## SPECIFICATIONS

**Finish:** nVent CADDY Armour;Pregalvanized

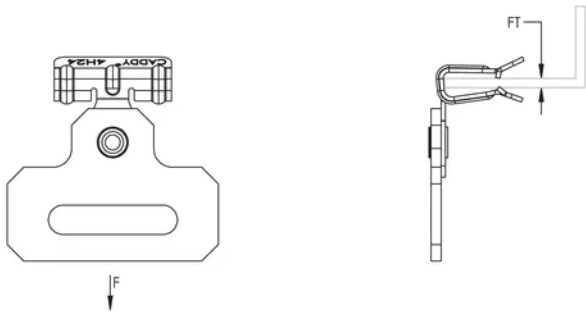
**Material:** Steel;Spring Steel

Table 1/1

Catalog Number	Article Number	Flange Thickness (FT)	Strap Width	Static Load
MSS24	172030	3 - 8 mm	32 mm Max	900N
MSS58	171760	8 - 14 mm	32 mm Max	900N
MSS912	171770	14 - 20 mm	32 mm Max	900N

## DIAGRAMS

---



## WARNING

---

nVent products shall be installed and used only as indicated in nVent's product instruction sheets and training materials. Instruction sheets are available at [www.nvent.com](http://www.nvent.com) and from your nVent customer service representative. Improper installation, misuse, misapplication or other failure to completely follow nVent's instructions and warnings may cause product malfunction, property damage, serious bodily injury and death and/or void your warranty.

### North America

+1.800.753.9221  
Option 1 – Customer Care  
Option 2 – Technical  
Support

### Europe

Netherlands:  
+31 800-0200135  
France:  
+33 800 901 793

### Europe

Germany:  
800 1890272  
Other Countries:  
+31 13 5835404

### APAC

Shanghai:  
+ 86 21 2412 1618/19  
Sydney:  
+61 2 9751 8500



Our powerful portfolio of brands:

**CADDY ERICO HOFFMAN ILSCO SCHROFF TRACHTE**

