

Cable Tie Holder with Inverted Flange Clip



FEATURES

Used to support cables from beam flanges

Requires only a hammer to install

Installed at the inside of the beam to avoid accidental rip-off

SPECIFICATIONS

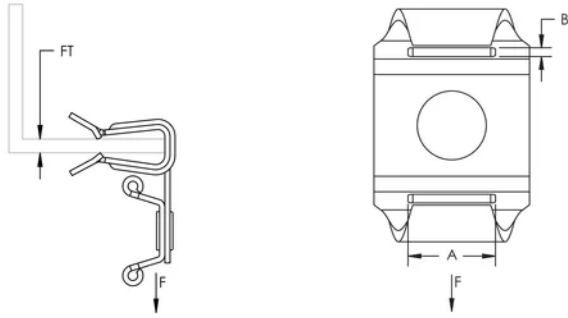
Finish: nVent CADDY Armour

Material: Spring Steel

Table 1/1

Catalog Number	Article Number	Flange Thickness (FT)	A	B	Static Load
4H24CTIN	160470	3 - 8 mm	9 mm	2 mm	150N
4H912CTIN	160490	14 - 20 mm	9 mm	2 mm	150N
4H58CTIN	160480	8 - 14 mm	9 mm	2 mm	150N

DIAGRAMS



WARNING

nVent products shall be installed and used only as indicated in nVent's product instruction sheets and training materials. Instruction sheets are available at www.nvent.com and from your nVent customer service representative. Improper installation, misuse, misapplication or other failure to completely follow nVent's instructions and warnings may cause product malfunction, property damage, serious bodily injury and death and/or void your warranty.

North America

+1.800.753.9221
Option 1 – Customer Care
Option 2 – Technical
Support

Europe

Netherlands:
+31 800-0200135
France:
+33 800 901 793

Europe

Germany:
800 1890272
Other Countries:
+31 13 5835404

APAC

Shanghai:
+ 86 21 2412 1618/19
Sydney:
+61 2 9751 8500



Our powerful portfolio of brands:

CADDY ERICO HOFFMAN ILSCO SCHROFF TRACHTE

