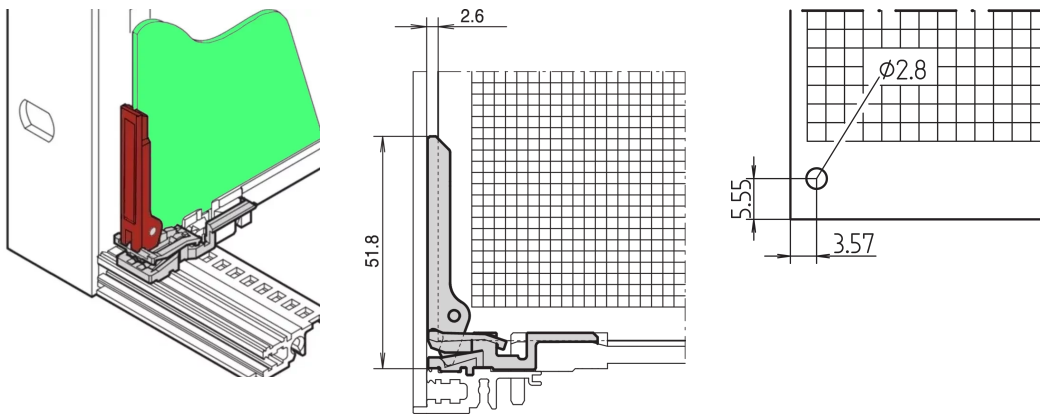


Printed Circuit Board Handle C

CATALOG NUMBER

24560-378



The PCB handle enables a user to extract a PCB without a front panel.

CERTIFICATIONS



FEATURES

Mounts behind front panel

For EuropacPRO, MultipacPRO, RatiopacPRO, PropacPRO and CompacPRO

Can only be used with board retainer 24560-377

PRODUCT ATTRIBUTES

Product Type: Handle

Type: Static

Works With: Subracks; Cases

Handle Type: Board Locking

Material: Polycarbonate

Color: Red

Flammability Rating: UL® 94V-0

Package Quantity: 10

Net Weight: 0.018kg

WARNING

nVent products shall be installed and used only as indicated in nVent's product instruction sheets and training materials. Instruction sheets are available at www.nvent.com and from your nVent customer service representative. Improper installation, misuse, misapplication or other failure to completely follow nVent's instructions and warnings may cause product malfunction, property damage, serious bodily injury and death and/or void your warranty.

North America

All locations
+1.763.422.2661
Chat with us:
nvent.com/schroff

Europe

Straubenhardt, Germany
+49.7082.794.0
Betschdorf, France
+33.3.88.90.64.90
Warsaw, Poland
+48.22.209.98.35
Assago, Italy
+39.02.932.7141
Chat with us:
nvent.com/schroff

Asia

Shanghai, China
+86.21.2412.6943
Qingdao, China
+86.532.8771.6101
Singapore
+65.6768.5800
Shin-Yokohama, Japan
+81.45.476.0271
Chat with us:
nvent.com/schroff

Middle East & India

Dubai, United Arab
Emirates
+971.4.378.1700
Bangalore, India
+91.80.6715.2001
Istanbul, Turkey
+90.216.250.7374
Chat with us:
nvent.com/schroff



Our powerful portfolio of brands:

CADDY ERICO HOFFMAN ILSCO SCHROFF TRACHTE