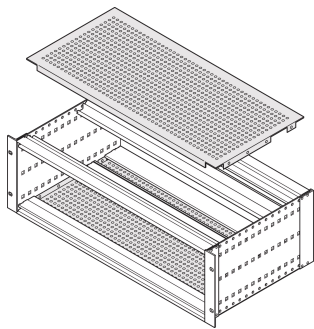


EuropacPRO Cover Plate for Bolting to Side Panel, SNCF

Power Utilities



A cover plate is used for electromagnetic shielding or as mechanical protection. The cover can be screwed onto the side panel. Can be used for railway subracks in accordance with SNCF.

CERTIFICATIONS



FEATURES

For variable positioning of horizontal rails e.g. for PCBs with standard formats

Perforation degree 58 %

Suitable for use with all horizontal rails

SPECIFICATIONS

Table 1/2

| Catalog Number | Rack Width | Depth | Package Quantity | Product Family | Product Type | Type |
|----------------|------------|--------|------------------|----------------|--------------|------------|
| 21500-124 | 36 HP | 175 mm | 1 | EuropacPRO | Cover Plate | Perforated |
| 21500-048 | 84 HP | 175 mm | 1 | EuropacPRO | Cover Plate | Perforated |

| CatalogNumber | Rack Width | Depth | Package Quantity | Product Family | Product Type | Type |
|---------------|------------|--------|------------------|----------------|--------------|------------|
| 21500-122 | 36 HP | 235 mm | 1 | EuropacPRO | Cover Plate | Perforated |
| 21500-037 | 84 HP | 235 mm | 1 | EuropacPRO | Cover Plate | Perforated |
| 21500-038 | 84 HP | 55 mm | 1 | EuropacPRO | Cover Plate | Perforated |
| 21500-123 | 36 HP | 55 mm | 1 | EuropacPRO | Cover Plate | Perforated |

Table 2/2

| Catalog Number | Works With | Package Unit | Torque |
|----------------|------------|--------------|---------|
| 21500-124 | Subracks | Pair | 2.1 N·m |
| 21500-048 | Subracks | Pair | 2.1 N·m |
| 21500-122 | Subracks | Pair | 2.1 N·m |
| 21500-037 | Subracks | Pair | 2.1 N·m |
| 21500-038 | Subracks | Pair | 2.1 N·m |
| 21500-123 | Subracks | Pair | 2.1 N·m |

WARNING

nVent products shall be installed and used only as indicated in nVent's product instruction sheets and training materials. Instruction sheets are available at www.nvent.com and from your nVent customer service representative. Improper installation, misuse, misapplication or other failure to completely follow nVent's instructions and warnings may cause product malfunction, property damage, serious bodily injury and death and/or void your warranty.



Our powerful portfolio of brands:

CADDY ERICO HOFFMAN ILSCO SCHROFF TRACHTE