

LENTON[®]

SPEED SLEEVE
Compression Splices



ERICO[®]

LENTON SPEED SLEEVE

For Ultimate Strength in compression

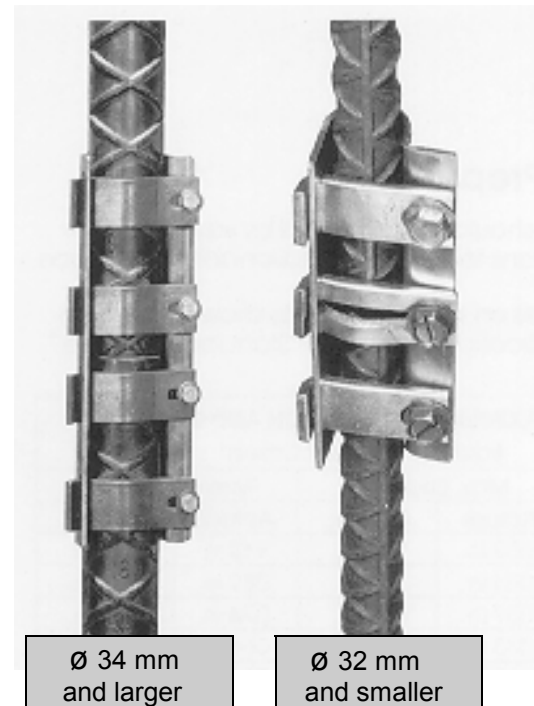
The LENTON SPEED SLEEVE Splice is a proven, quick and economical method of making compression splice for steel construction projects over the world.

LENTON SPEED SLEEVE splices comply with the requirements of many international reinforced concrete design codes, such as DIN 1045, BS8110, ACI 318-83, AS 3600

The LENTON SPEED SLEEVE provides a very suitable and easy to install sleeve for holding square cut ends of bars in compression in concentric contact. The small dimensions of the sleeve generally eliminate the need for additional concrete cover on the reinforcement, because the sleeve is normally thinner than the column stirrups.

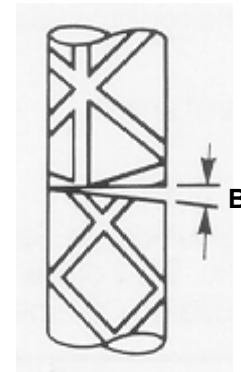
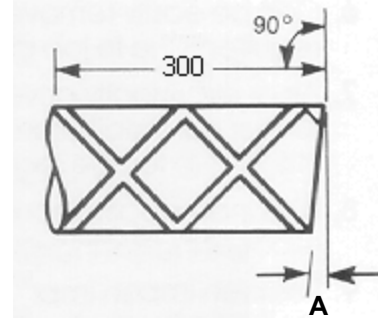
FEATURES:

- Easily installed in seconds.
- Can be installed by one man.
- Can be installed on rebar dowels without the upper bar in place. This speeds installation of prefabricated cages.
- Self supporting, requires no "tack" welding.
- Can be used on bundled bars.
- Requires only light weight ratchet wrench.
- Can be easily removed and reused if required due to job changes.
- Air or electrically driven impact wrench can further cut installation time.
- Bars individually secured, compensates for rebar size variation and out of roundness.
- Positive end bearing maintained without depending on the weight of the rebar to keep ends in contact.
- Transition splices made by use of simple adapter inserts.



Bar End Preparation :

1. Bar ends should be prepared by saw, cutting or other means to provide a reasonably flat surface.
2. The ends of the bars must be within 1½ degrees of square to the long axis. In Field assembly such splices when erected must fit with 3 degrees.



MAXIMUM END DEVIATION AND GAP Equivalent Linear Offsets *		
Rebar size	Max. End Deviation 'A'	Maximum Gap 'B'
50-57 mm	1,6 mm	3,2 mm
40-43 mm	1,1 mm	2,2 mm
34-36 mm	0,9 mm	1,8 mm
30-32 mm	0,8 mm	1,6 mm
28 mm	0,7 mm	1,4 mm
25 mm	0,7 mm	1,4 mm
22 mm	0,6 mm	1,2 mm
20 mm	0,5 mm	1,1 mm

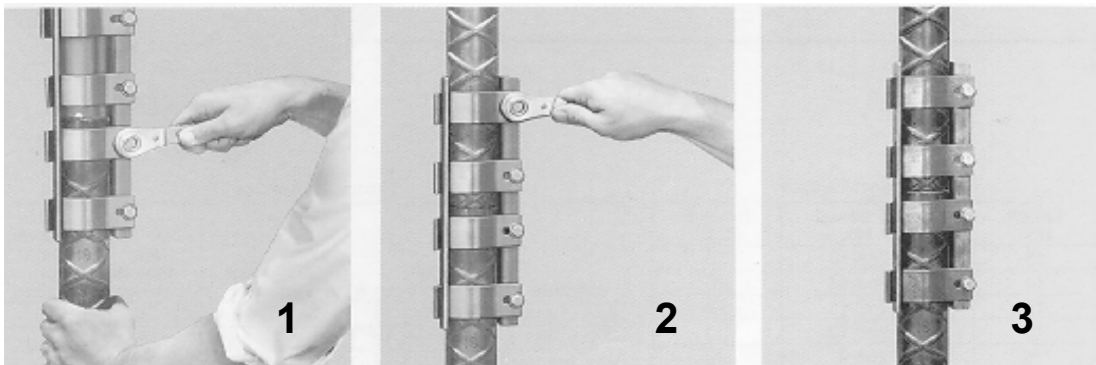
* = Tables are based on nominal bar diameters. Values are rounded.

* = Deviation and Gap based on ACI 318-83 Section 12.16.4.2

Note: Field adjustment or rotation of bar ends may be necessary to obtain a gap equal to or less than the Maximum Allowable Gap where Maximum Allowable Deviation exists on both bar ends.

Installation procedure :

1. **For rebar 34 mm and Larger**, place Speed-Sleeve over bar end so that end of bar end is between middle two straps and tighten lower bolts. **For rebar 32 mm and smaller**, place Speed Sleeve over bar end so that end of bar end is at slot in centre strap and tighten only bottom bolt. If required insert adapter insert inside sleeve (see information on page 4).
2. Insert upper bar so that it rests concentrically on the lower bar and tighten upper two bolts.
3. Bolts need be tightened only sufficiently to cause straps to bend. Bolts need not be bottomed. Visual inspection is easy, no torque wrench is required. Tightening can be done by hand since the installation only takes 20-30 Nm.



Ordering information :

Bar size	Description	Article number	Packing Unit	Remarks*
20	Speed Sleeve 20	145495	20	-
22	Speed Sleeve 22	145500	20	-
25	Speed Sleeve 25	145510	20	-
28	Speed Sleeve 28	145520	20	-
30	Speed Sleeve 30	145530	20	1 insert
32	Speed Sleeve 32	145535	20	-
34	Speed Sleeve 34-36	145540	20	1 insert
36			20	-
40	Speed Sleeve 40	145550	10	-
50	Speed Sleeve 50	145555	10	-
57	Speed Sleeve 57	145560	10	-
	Ratchet Wrench (Sizes: 22, 30, 34-36, 57)**	145570	1	

* Inserts are enclosed in packaging and may be needed to ensure a proper fitting of the sleeve. Adapter inserts can also be used to make transition splices (please contact ERICO for more information).

** Other Speed Sleeve sizes contain metric bolts and can be tightened with standard European tooling.

AUSTRALIA

6 CHILVERS ROAD
P.O. Box 148
THORNLEIGH (Sydney) NSW 2120
Australia
TEL. +61 2 9479 8500
FAX +61 2 9484 9188

BELGIUM

LAMBROEKSTRAAT 5A
DIEGEM 1831
BELGIUM
TEL. +32 2 719 0339
FAX +32 2 719 0340

DENMARK

STORTORGET 29
SE -211 34 MALMÖ
SWEDEN
TEL. +45 46 19 1941
FAX +45 46 19 1942

FRANCE

RUE BENOIT FOURNEYRON Z.I. SUD
BOITE POSTALE 31
42161 ANDREZIEUX CEDEX
FRANCE
TEL. +33 4 77 36 56 56
FAX +33 4 77 55 37 89

GERMANY

D 66851 SCHWANENMUEHLE
GERMANY
TEL. +49 63 07 91 810
FAX +49 63 07 91 8150

HONG KONG

UNIT 1, 2ND FLOOR, BOCK A
PO YIP BUILDING
62-70 TEXACO ROAD
TSUEN WAN, NEW TERRITORIES
HONG KONG
TEL. +852 2 764 8808
FAX +852 2 764 4486

HUNGARY

CEGLÉDI ÚT 1-3
1107 BUDAPEST
HUNGARY
TEL. +36 1 431 3464
FAX +36 1 431 3471

INDONESIA

WISMA DANAMON AETNA LIFE, 19TH FLOOR
JALEN JEND. SUDIRMAN KAV. 45-46
JAKARTA 12930
INDONESIA
TEL. +62 21 575 0941
FAX. +62 21 575 0942

ITALY

VIA EDISON NR. 50
20019 SETTIMO MILANESE
ITALY
TEL. +39 02 33 50 11 78
FAX +39 02 33 50 13 04

NETHERLANDS

POSTBUS 487
NL- 5000 AL TILBURG
NETHERLANDS
TEL. +31 13 583 54 00
FAX +31 13 583 54 99

NORWAY

POSTBOKS 148
NO-1366 LYSAKER
NORWAY
TEL. +47 67 53 12 00
FAX +47 67 12 42 68

POLAND

54-613 WROCLAW
UL. KRZEMIENIECKA 17
POLAND
TEL. +48 71 357 48 27
FAX +48 71 342 40 99

SOUTH AFRICA

STAND 322-5TH STREET
WYNBERG, GAUTENG
P.O. BOX 784
BRAMLEY 2018
SOUTH AFRICA
TEL. + 27 11 786 9188
FAX + 27 11 786 62 16

SPAIN

C/PROVENZA 288, PRAL.
08008 BARCELONA
SPAIN
TEL. +34 93 467 77 26
FAX +34 93 467 77 25

SWEDEN

STORTORGET 29
SE-211 34 MALMÖ
SWEDEN
TEL. +46 040 611 13 60
FAX +46 040 611 94 15

SWITZERLAND

PRA PURY 7D
3280 MURTEN
3281 SWITZERLAND
TEL. +41 26 672 9999
FAX +41 26 672 9998

SINGAPORE

1JALAN REMAJA
HILLVIEW HOUSE #05-04
SINGAPORE 668662
TEL. +65 763 2477
FAX + 65 763 2379

THAILAND

LEVEL 23, M. THAI TOWER ALL SEASONS PLACE
87 WIRELESS ROAD
PANTHUMWAN, BANGKOK 10330
THAILAND
TEL. +662 627 9037
FAX +662 627 9168

TURKEY

INSAAT MALZEMELERI, PERPA TICARET MERKEZI
B BLOK, 5 KET, 5 CADDE.297
ISTANBUL 80270
TURKEY
TEL. +90 212 210 0825
FAX +90 212 210 0827

UNITED KINGDOM

ERICO
52 MILFORD ROAD
READING R/G 18 LJ
TEL. +44 1189 588386
FAX +44 1189 594856

We reserve the right to make any alterations to the information contained in this brochure which we consider to be either necessary or advantageous. This brochure is designed to provide only preliminary information on the products and is not a contract. The company does not accept any liability for loss or damage arising from failure to follow its instructions to products not agreed by it.