

300M Universal Beam Clamp



CERTIFICATIONS



FEATURES

Universal beam clamp for standard beams

Structural attachment (with infinite adjustment) to top or bottom flange of metal beams to support hanger rod

Including set screw and lock nut

SPECIFICATIONS

- Material:** Cast Iron
- Finish:** Electrogalvanized
- Hole Type:** Threaded

Table 1/2

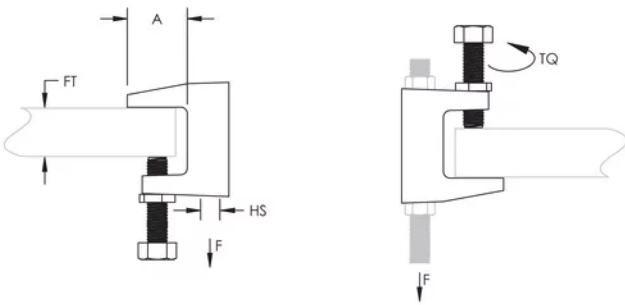
| Catalog Number | Article Number | Thread Size (TS) | Flange Thickness (FT) | A | Torque (TQ) | Static Load |
|----------------|----------------|------------------|-----------------------|-------|-------------|-------------|
| 300M6 | 386805 | M6 | 18 mm Max | 21 mm | 14 N·m Min | 1200N |
| 300M8 | 386810 | M8 | 18 mm Max | 21 mm | 14 N·m Min | 1200N |

| Catalog Number | Article Number | Certifications |
|----------------|----------------|-------------------|
| 300M6 | 386805 | |
| 300M8 | 386810 | ITB, VdS G4005005 |

ADDITIONAL PRODUCT DETAILS

Setscrew must be tightened and torqued onto the sloped side of the I-beam.

DIAGRAMS



WARNING

nVent products shall be installed and used only as indicated in nVent's product instruction sheets and training materials. Instruction sheets are available at www.nvent.com and from your nVent customer service representative. Improper installation, misuse, misapplication or other failure to completely follow nVent's instructions and warnings may cause product malfunction, property damage, serious bodily injury and death and/or void your warranty.

North America

+1.800.753.9221
 Option 1 – Customer Care
 Option 2 – Technical
 Support

Europe

Netherlands:
 +31 800-0200135
 France:
 +33 800 901 793

Europe

Germany:
 800 1890272
 Other Countries:
 +31 13 5835404

APAC

Shanghai:
 + 86 21 2412 1618/19
 Sydney:
 +61 2 9751 8500



Our powerful portfolio of brands:

CADDY ERICO HOFFMAN ILSCO SCHROFF TRACHTE

