

nVent CADDY Rod Lock Spring Steel Strut Nut



The QCN combines the unique properties of Spring Steel and CADDY "push-to-install" technology to create a snap in place strut nut with shockingly quick install of threaded rod or bolts. Use with a hex nut on threaded rod for fast install of prefabricated trapeze systems or with a truss head bolt for unbelievably fast wall mounting of electrical boxes and other services.

FEATURES

Easy "push-to-install" design allows installers to simply push the threaded rod through the mounting hole, instantly holding it in position

Works with slightly damaged threads and minor burrs on the threaded rod

Perfect for quickly installing branch runs either at the load with standard strut or at the structure in combination with embedded strut

Integrated design eliminates the need for finicky spring nuts and loose hardware, simplifying installation

Quickly wall mount enclosures using common threaded bolts

Designed for use with standard strut widths (1 5/8" or 41mm) both shallow and deep profiles

SPECIFICATIONS

Finish: nVent CADDY Armour

Material: Spring Steel

Table 1/2

Catalog Number	Article Number	Rod Size (RS)	Height (H)	A	B	Static Load 1 (F1)
4QCN	593000	M6	19 mm	38 mm	38 mm	325N
5QCN	593001	M8	19 mm	38 mm	38 mm	450N
6QCN	593002	M10	19 mm	38 mm	38 mm	475N

CatalogNumber	Article Number	Rod Size (RS)	Height (H)	A	B	Static Load 1 (F1)
8QCN	593003	M12	18 mm	38 mm	38 mm	550N

Table 2/2

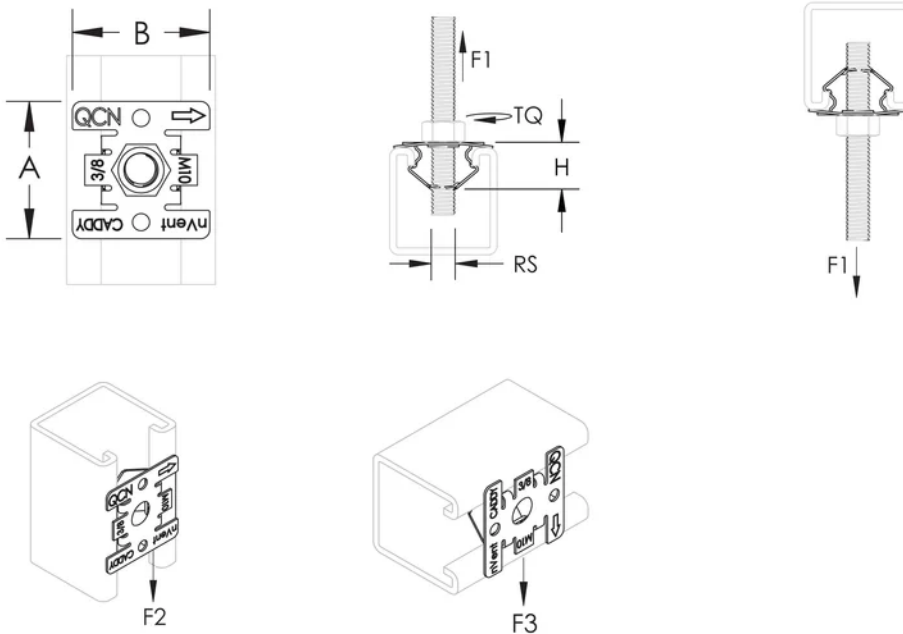
Catalog Number	Article Number	Static Load 2 (F2)	Static Load 3 (F3)	Torque (TQ)
4QCN	593000	90N	130N	1.12 N·m
5QCN	593001	110N	225N	1.5 N·m
6QCN	593002	130N	225N	2.5 N·m
8QCN	593003	130N	225N	2.75 N·m

ADDITIONAL PRODUCT DETAILS

The QCN requires a longer bolt than standard strut nuts. See instruction sheet for detailed information.

In order to function properly on shallow strut (21mm or 13/16" deep), the QCN should be installed directly above a slot hole.

DIAGRAMS



WARNING

nVent products shall be installed and used only as indicated in nVent's product instruction sheets and training materials. Instruction sheets are available at www.nvent.com and from your nVent customer service representative. Improper installation, misuse, misapplication or other failure to completely follow nVent's instructions and warnings may cause product malfunction, property damage, serious bodily injury and death and/or void your warranty.

North America

+1.800.753.9221
Option 1 – Customer Care
Option 2 – Technical
Support

Europe

Netherlands:
+31 800-0200135
France:
+33 800 901 793

Europe

Germany:
800 1890272
Other Countries:
+31 13 5835404

APAC

Shanghai:
+ 86 21 2412 1618/19
Sydney:
+61 2 9751 8500



Our powerful portfolio of brands:

CADDY ERICO HOFFMAN ILSCO SCHROFF TRACHTE

