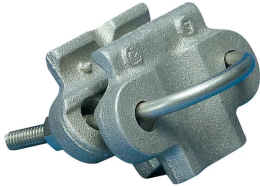


Cast U-Bolt Pipe Clamp



CERTIFICATIONS



FEATURES

Clamp for bonding conductor to handrails, pipes and rebar to lightning protection system

Listed to UL® 96

SPECIFICATIONS

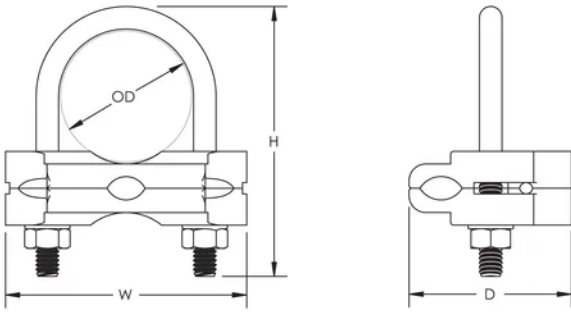
Table 1/2

Catalog Number	Conductor Size, UL	Material	Finish	Outer Diameter (OD)	Depth (D)	Height (H)
LPC570	Class 1 - Class 2 (4/0 Max), Secondary	Brass	Bare	17.3 - 38.1 mm	45.72mm	76.2 mm

Table 2/2

Catalog Number	Width (W)	Unit Weight
LPC570	67.82 mm	0.32 kg

DIAGRAMS



WARNING

nVent products shall be installed and used only as indicated in nVent's product instruction sheets and training materials. Instruction sheets are available at www.nvent.com and from your nVent customer service representative. Improper installation, misuse, misapplication or other failure to completely follow nVent's instructions and warnings may cause product malfunction, property damage, serious bodily injury and death and/or void your warranty.

⚠ WARNING: This product can expose you to chemicals including lead, which is known to the State of California to cause cancer and birth defects or other reproductive harm. For more information go to www.P65Warnings.ca.gov.

North America

+1.800.753.9221
Option 1 – Customer Care
Option 2 – Technical
Support

Europe

Netherlands:
+31 800-0200135
France:
+33 800 901 793

Europe

Germany:
800 1890272
Other Countries:
+31 13 5835404

APAC

Shanghai:
+ 86 21 2412 1618/19
Sydney:
+61 2 9751 8500



Our powerful portfolio of brands:

CADDY ERICO HOFFMAN ILSCO SCHROFF TRACHTE