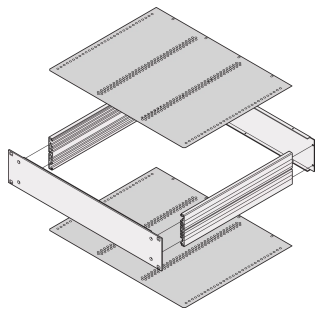


MultipacPRO Cover Plate for Euroboards Horizontal Mounting

Power Utilities



Cover plate with drilled holes for horizontal mounting of euroboards (EN 60603).

CERTIFICATIONS



FEATURES

Cover plate with drilled holes for horizontal mounting of euroboards (EN 60603)

Cover plates can be used as either top or base plates; inserted into base structure

SPECIFICATIONS

Table 1/2

Catalog Number	Depth	Package Quantity	Product Family	Product Type	Rack Width	Type
30860-523	460 mm	1	MultipacPRO	Cover Plate	84 HP	Perforated
30860-521	340 mm	1	MultipacPRO	Cover Plate	84 HP	Perforated

CatalogNumber	Depth	Package Quantity	Product Family	Product Type	Rack Width	Type
30860-520	280 mm	1	MultipacPRO	Cover Plate	84 HP	Perforated
30860-519	220 mm	1	MultipacPRO	Cover Plate	84 HP	Perforated
30860-522	400 mm	1	MultipacPRO	Cover Plate	84 HP	Perforated

Table 2/2

Catalog Number	Works With	Certifications
30860-523	Chassis	
30860-521	Chassis	RoHS
30860-520	Chassis	RoHS
30860-519	Chassis	RoHS
30860-522	Chassis	

ADDITIONAL PRODUCT DETAILS

Please order euroboard mounting kit separately.

WARNING

nVent products shall be installed and used only as indicated in nVent's product instruction sheets and training materials. Instruction sheets are available at www.nvent.com and from your nVent customer service representative. Improper installation, misuse, misapplication or other failure to completely follow nVent's instructions and warnings may cause product malfunction, property damage, serious bodily injury and death and/or void your warranty.



Our powerful portfolio of brands:

CADDY ERICO HOFFMAN ILSCO SCHROFF TRACHTE