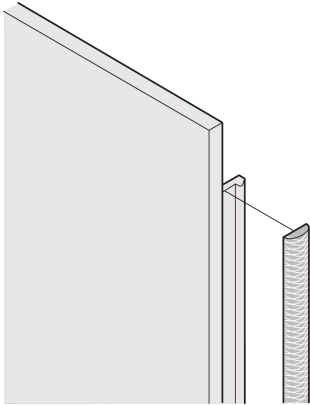


# Front Panel EMC Textile Shielding Kit, -40 up to +70°C



The textile EMC gaskets are inserted into a slot on the right hand side of the U-shaped front panels. The gaskets are glued to the front panel.

## CERTIFICATIONS



## FEATURES

Textile EMC gasket is affixed laterally on the front panel or in the groove of the right-hand profile as appropriate.

Profile seal is bonded onto the contact surface of the 19" bracket or of the rear angle and sets up the conductive connection to the U-shaped front panels

Temperature range -40 °C ... +70 °C

## SPECIFICATIONS

- Works With:** Subracks; Cases; Front Panels
- Product Family:** EuropacPRO; RatiopacPRO; RatiopacPRO AIR; PropacPRO; Frame Type Plug-In Unit
- Product Type:** Shielding Kit
- Material:** Thermoplastic Elastomer

Table 1/2

Catalog Number	Rack Height	Package Quantity	Depth (D)	Height (H)	Width (W)	Flammability Rating
----------------	-------------	------------------	-----------	------------	-----------	---------------------

21101-853	3U	10	1.62mm	97mm	3.8mm	UL® 94V-0
21101-855	6U	10	1.62mm	232mm	3.8mm	UL® 94V-0
21101-857	2U	10	1.62mm	52mm	3.8mm	UL® 94V-0
21101-859	9U	10	1.62mm	365.5mm	3.8mm	UL® 94V-0
21101-854	3U	100	1.62mm	97mm	3.8mm	UL® 94V-0
21101-856	6U	100	1.62mm	232mm	3.8mm	UL® 94V-0
21101-858	4U	10				
21101-978	5U	10				
21101-904	9U	100				

Table 2/2

Catalog Number	Quick Ship
21101-853	No
21101-855	No
21101-857	No
21101-859	No
21101-854	No
21101-856	No
21101-858	No
21101-978	No
21101-904	No

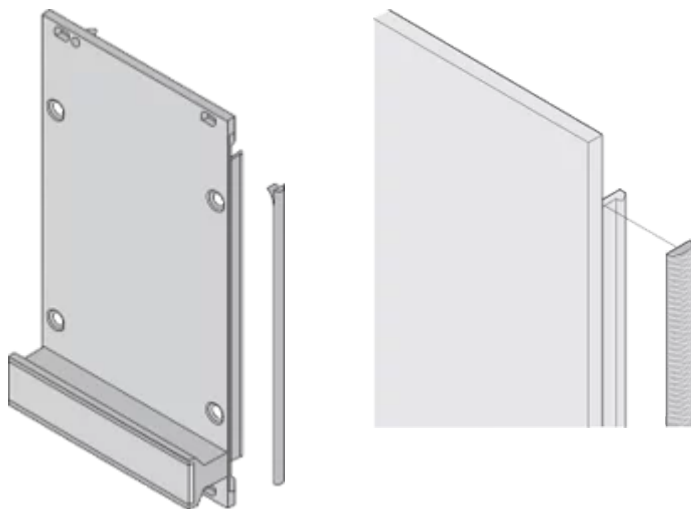
## ADDITIONAL PRODUCT DETAILS

---

EMC gaskets (textile) are required for shielding the front panels.

## DIAGRAMS

---



## WARNING

---

nVent products shall be installed and used only as indicated in nVent's product instruction sheets and training materials. Instruction sheets are available at [www.nvent.com](http://www.nvent.com) and from your nVent customer service representative. Improper installation, misuse, misapplication or other failure to completely follow nVent's instructions and warnings may cause product malfunction, property damage, serious bodily injury and death and/or void your warranty.

### North America

All locations  
+1.763.422.2661  
Chat with us:  
[nvent.com/schroff](http://nvent.com/schroff)

### Europe

Straubenhardt, Germany  
+49.7082.794.0  
Betschdorf, France  
+33.3.88.90.64.90  
Warsaw, Poland  
+48.22.209.98.35  
Assago, Italy  
+39.02.932.7141  
Chat with us:  
[nvent.com/schroff](http://nvent.com/schroff)

### Asia

Shanghai, China  
+86.21.2412.6943  
Qingdao, China  
+86.532.8771.6101  
Singapore  
+65.6768.5800  
Shin-Yokohama, Japan  
+81.45.476.0271  
Chat with us:  
[nvent.com/schroff](http://nvent.com/schroff)

### Middle East & India

Dubai, United Arab  
Emirates  
+971.4.378.1700  
Bangalore, India  
+91.80.6715.2001  
Istanbul, Turkey  
+90.216.250.7374  
Chat with us:  
[nvent.com/schroff](http://nvent.com/schroff)



Our powerful portfolio of brands:

**CADDY ERICO HOFFMAN ILSCO SCHROFF TRACHTE**