

Pouring Basin Frame, Horizontal, Side Fill



FEATURES

Spiral handles are used to securely close the pouring basin and help insulate the operator from the heat of the pouring basin

Chain securely holds the pouring basin to the sleeve

Durable, re-usable and long lasting

SPECIFICATIONS

Material: Steel

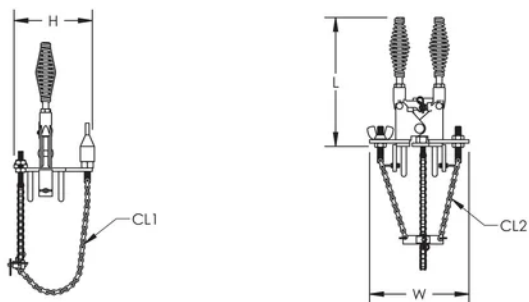
Table 1/1

Catalog Number	Length (L)	Width (W)	Height (H)	Chain Length 1 (CL1)	Chain Length 2 (CL2)
RBW332	246mm	189 mm	149 mm	483mm	140mm
RBW3322	246mm	189 mm	149 mm	965mm	483mm
RBW3321	246mm	189 mm	149 mm	965mm	279mm

ADDITIONAL PRODUCT DETAILS

Prior to installation, please read and understand all of the detailed instructions and safety notices provided in the nVent LENTON Cadweld Rebar Splicing System instruction manual.

DIAGRAMS



WARNING

nVent products shall be installed and used only as indicated in nVent's product instruction sheets and training materials. Instruction sheets are available at www.nvent.com and from your nVent customer service representative. Improper installation, misuse, misapplication or other failure to completely follow nVent's instructions and warnings may cause product malfunction, property damage, serious bodily injury and death and/or void your warranty.

North America

+1.800.753.9221

Option 1 – Customer Care

Option 2 – Technical

Support

Europe

Netherlands:

+31 800-0200135

France:

+33 800 901 793

Europe

Germany:

800 1890272

Other Countries:

+31 13 5835404

APAC

Shanghai:

+ 86 21 2412 1618/19

Sydney:

+61 2 9751 8500



Our powerful portfolio of brands:

CADDY

ERICO

HOFFMAN

ILSCO

SCHROFF

TRACHTE