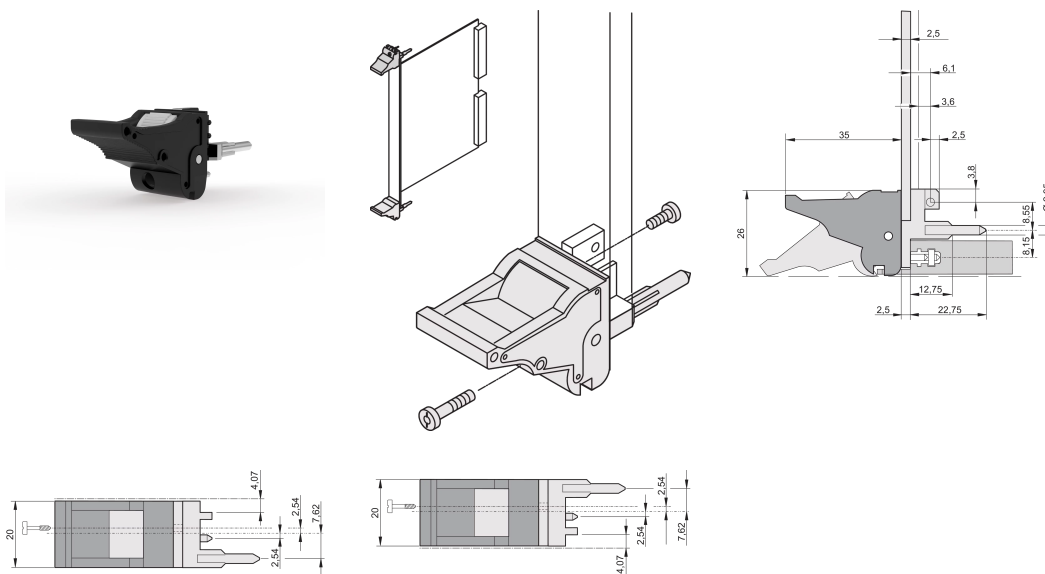


Insertor/Extractor Handle Type IEL, Black Lever, Grey Button, Bottom, 100 Pieces

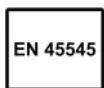
CATALOG NUMBER

20817-613



The inserter/extractor handle, type IEL in accordance with IEEE 1101.10. Two of these handles can overcome a single lever force of 700N (per pair).

CERTIFICATIONS



FEATURES

Suitable for insertion and extraction forces up to 700 N (per pair)

In accordance with IEEE 1101.10 and IEC 60297-3-102

A microswitch can be mounted

PRODUCT ATTRIBUTES

Package Quantity: 100

Handle Type: IEL; Bottom Front; Top Rear I/O

Flammability Rating: UL@ 94V-0

Color: Black

Complies With: EN 45545-2

Material: Polycarbonate; Zinc Alloy

Product Type: Handle

Type: Inserter/Extractor, Standard

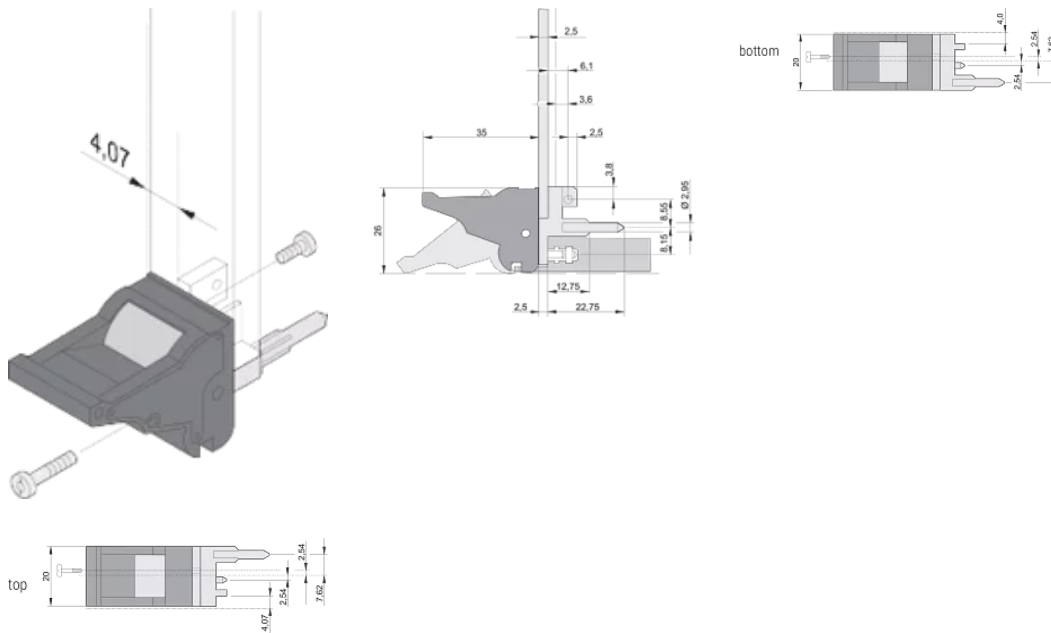
Works With: Front Panels

Net Weight: 0.365kg

ADDITIONAL PRODUCT DETAILS

Please order Coding pegs and Microswitch separately.

DIAGRAMS



WARNING

nVent products shall be installed and used only as indicated in nVent's product instruction sheets and training materials. Instruction sheets are available at www.nvent.com and from your nVent customer service representative. Improper installation, misuse, misapplication or other failure to completely follow nVent's instructions and warnings may cause product malfunction, property damage, serious bodily injury and death and/or void your warranty.

North America

All locations

+1.763.422.2661

Chat with us:

nvent.com/schroff

Europe

Straubenhardt, Germany

+49.7082.794.0

Betschdorf, France

+33.3.88.90.64.90

Warsaw, Poland

+48.22.209.98.35

Assago, Italy

+39.02.932.7141

Chat with us:

nvent.com/schroff

Asia

Shanghai, China

+86.21.2412.6943

Qingdao, China

+86.532.8771.6101

Singapore

+65.6768.5800

Shin-Yokohama, Japan

+81.45.476.0271

Chat with us:

nvent.com/schroff

Middle East & India

Dubai, United Arab

Emirates

+971.4.378.1700

Bangalore, India

+91.80.6715.2001

Istanbul, Turkey

+90.216.250.7374

Chat with us:

nvent.com/schroff



Our powerful portfolio of brands:

CADDY

ERICO

HOFFMAN

ILSCO

SCHROFF

TRACHTE