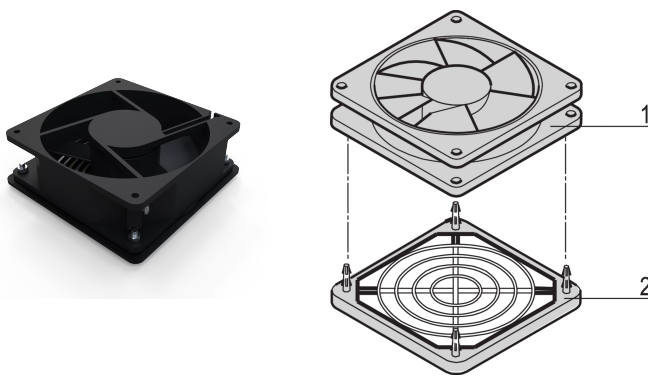


# Varistar Top Cover Fan, Height 38 mm, 162 m<sup>3</sup>/h

## CATALOG NUMBER

**23130-165**



Top covers with fans are compact active cooling units which do not consume rack space. The Varistar fan for top cover comes with high specifications.

## CERTIFICATIONS



## FEATURES

Varistar Top Cover Fan, Height 38 mm, 162 m<sup>3</sup>/h

## PRODUCT ATTRIBUTES

Product Type: Fan

Product Family: Varistar

Works With: Varistar CP

Voltage AC: 230V

Depth: 119mm

Frequency: 50/60 Hz

Airflow @ 50 Hz: 162m³/h

Airflow @ 60 Hz: 192m³/h

Noise Level @ 50 Hz: 37dB(A)

Noise Level @ 60 Hz: 41dB(A)

Power @ 50 Hz: 15W

Power @ 60 Hz: 14W

Max Static Pressure @ 50 Hz: 73Pa

Max Static Pressure @ 60 Hz: 88Pa

Ambient Temperature: 70°C

Height: 38mm

Width: 119mm

Finish: Powder Coated

Material: Steel

Package Quantity: 1

## WARNING

nVent products shall be installed and used only as indicated in nVent's product instruction sheets and training materials. Instruction sheets are available at [www.nvent.com](http://www.nvent.com) and from your nVent customer service representative. Improper installation, misuse, misapplication or other failure to completely follow nVent's instructions and warnings may cause product malfunction, property damage, serious bodily injury and death and/or void your warranty.

### North America

All locations  
+1.763.422.2661  
Chat with us:  
[nvent.com/schroff](http://nvent.com/schroff)

### Europe

Straubenhardt, Germany  
+49.7082.794.0  
Betschdorf, France  
+33.3.88.90.64.90  
Warsaw, Poland  
+48.22.209.98.35  
Assago, Italy  
+39.02.932.7141  
Chat with us:  
[nvent.com/schroff](http://nvent.com/schroff)

### Asia

Shanghai, China  
+86.21.2412.6943  
Qingdao, China  
+86.532.8771.6101  
Singapore  
+65.6768.5800  
Shin-Yokohama, Japan  
+81.45.476.0271  
Chat with us:  
[nvent.com/schroff](http://nvent.com/schroff)

### Middle East & India

Dubai, United Arab  
Emirates  
+971.4.378.1700  
Bangalore, India  
+91.80.6715.2001  
Istanbul, Turkey  
+90.216.250.7374  
Chat with us:  
[nvent.com/schroff](http://nvent.com/schroff)



Our powerful portfolio of brands:

**CADDY ERICO HOFFMAN ILSCO SCHROFF TRACHTE**