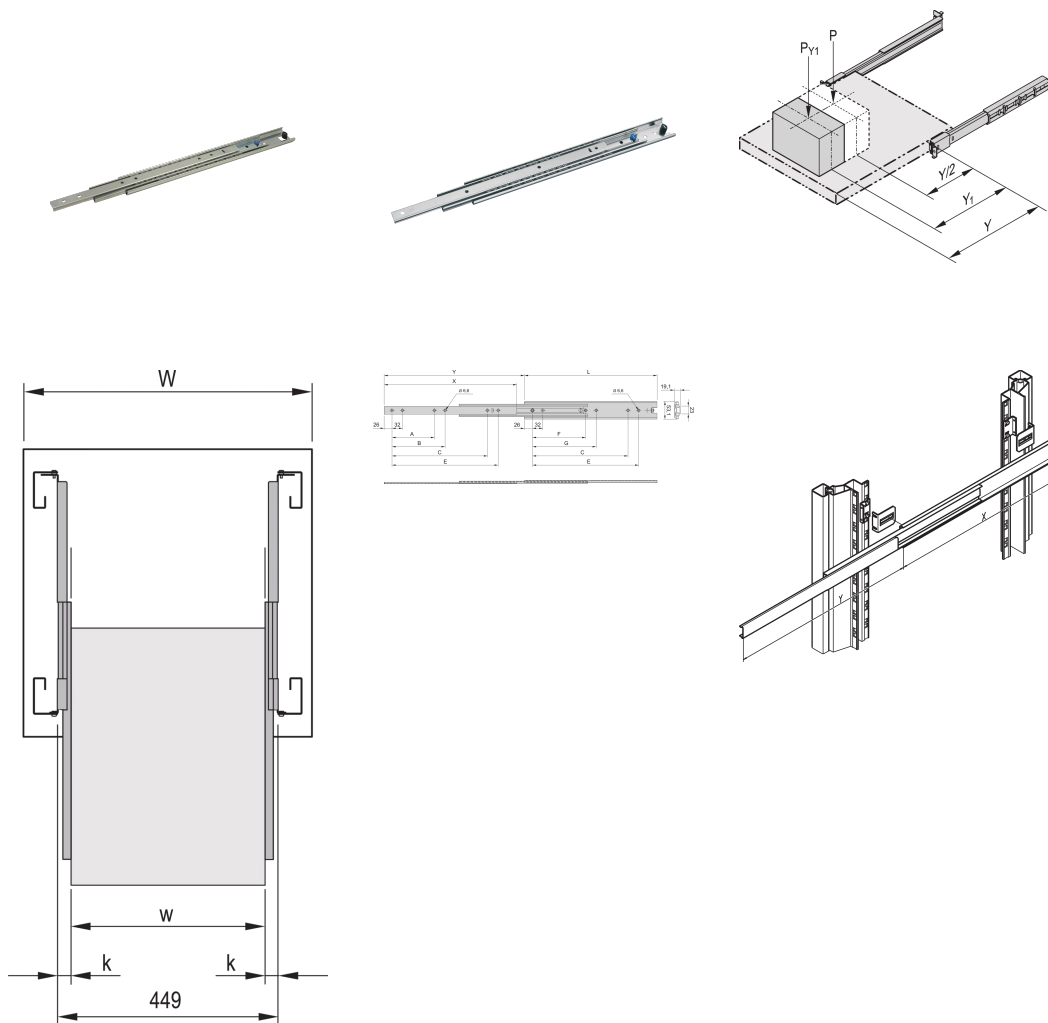


Telescopic Slide, Universal, Heavy Load, 2 U 300L

CATALOG NUMBER

20110-190



CERTIFICATIONS



FEATURES

Static load-carrying capacity per pair 72 - 100 kg

Lateral mounting on the 19" uprights (19" plane remains free for fixing the extension/drawer)

End stop damped

Extension length > 100 %

Rail width $k = 19.1$ mm, max. installation width of extension/drawer $w = 411$ mm

PRODUCT ATTRIBUTES

Length: 300mm

Package Quantity: 2

Finish: Zinc Plated

Material: Steel

Product Type: Telescopic Slide

Static Load: 77kg

Type: Universal

Net Weight: 1.3kg

ADDITIONAL PRODUCT DETAILS

To mount on 19" plane please order assembly kit separately.

Universal telescopic rails can also be fitted without additional components in non-standard applications, thus also in other than 19" cabinets.

WARNING

nVent products shall be installed and used only as indicated in nVent's product instruction sheets and training materials. Instruction sheets are available at www.nvent.com and from your nVent customer service representative. Improper installation, misuse, misapplication or other failure to completely follow nVent's instructions and warnings may cause product malfunction, property damage, serious bodily injury and death and/or void your warranty.

North America

All locations

+1.763.422.2661

Chat with us:

nvent.com/schroff

Europe

Straubenhardt, Germany

+49.7082.794.0

Betschdorf, France

+33.3.88.90.64.90

Warsaw, Poland

+48.22.209.98.35

Assago, Italy

+39.02.932.7141

Chat with us:

nvent.com/schroff

Asia

Shanghai, China

+86.21.2412.6943

Qingdao, China

+86.532.8771.6101

Singapore

+65.6768.5800

Shin-Yokohama, Japan

+81.45.476.0271

Chat with us:

nvent.com/schroff

Middle East & India

Dubai, United Arab

Emirates

+971.4.378.1700

Bangalore, India

+91.80.6715.2001

Istanbul, Turkey

+90.216.250.7374

Chat with us:

nvent.com/schroff



Our powerful portfolio of brands:

CADDY

ERICO

HOFFMAN

ILSCO

SCHROFF

TRACHTE